

# Suzuki Vitara XL-7

Body:

Years.: 2005 -;

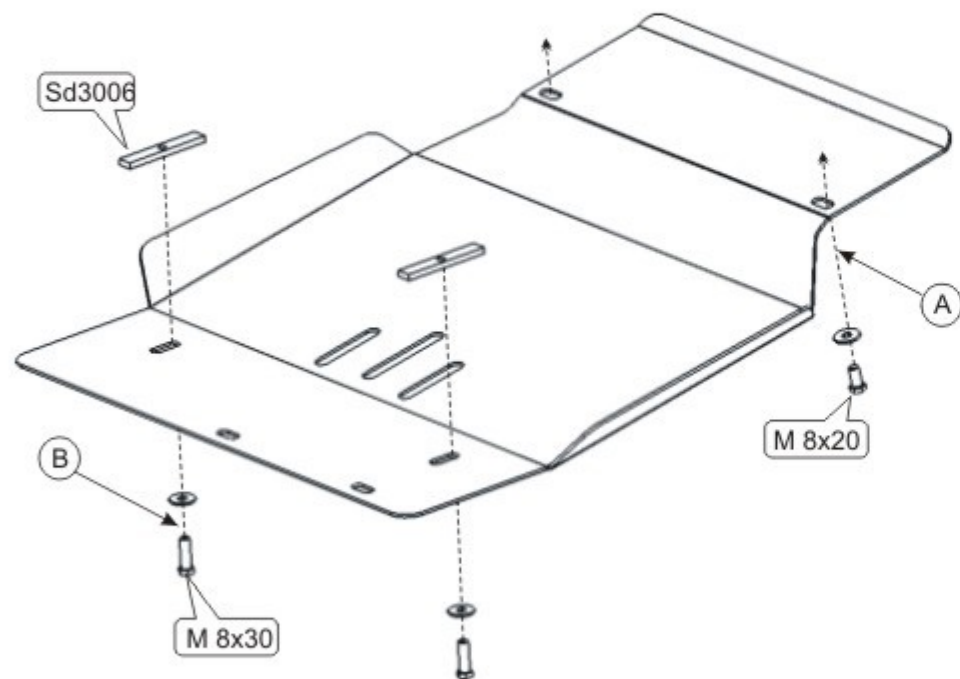
V: \*\*\*

VIN:-

AT

Type: 23.810

Type: 23.811(AL)



1. Fix straps into the crossbar.
2. Fix the front part of the skid plate to regular fixing points.
3. Fix the rear part of the skid plate to mounted straps.
4. Tighten all screw joints.

