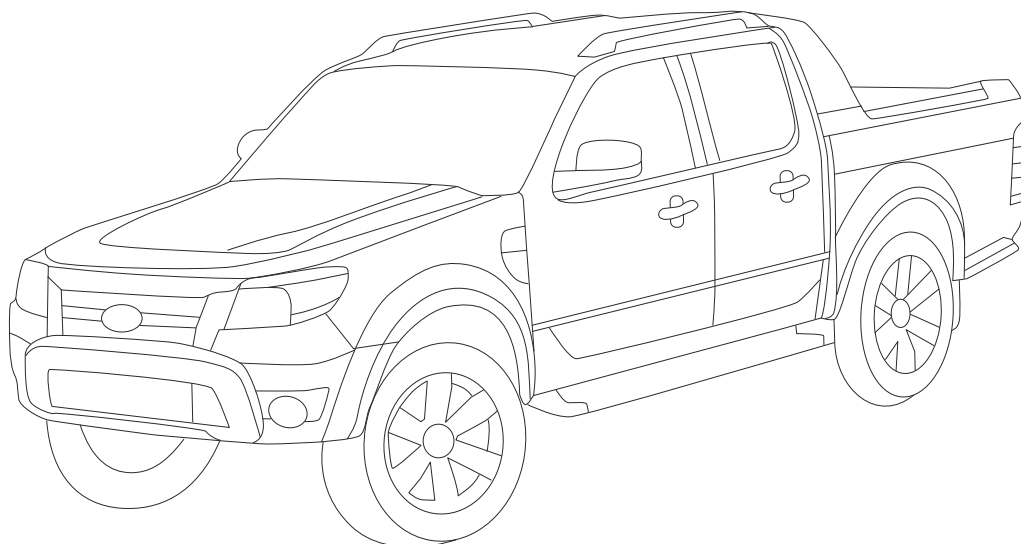


INSTALLATION INSTRUCTION SKID PLATE FOR ENGINE BAY



FORD RANGER (2.2D, 3.2D AT, MT) **2011** 

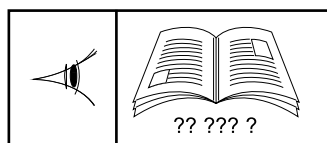
08.2169/08.2170

15/02/12

1/6



Warning/Beware



See Workshop Manual



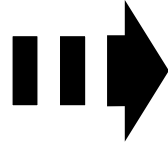
Correct



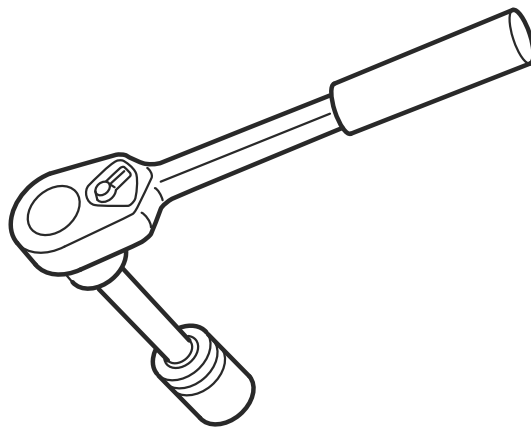
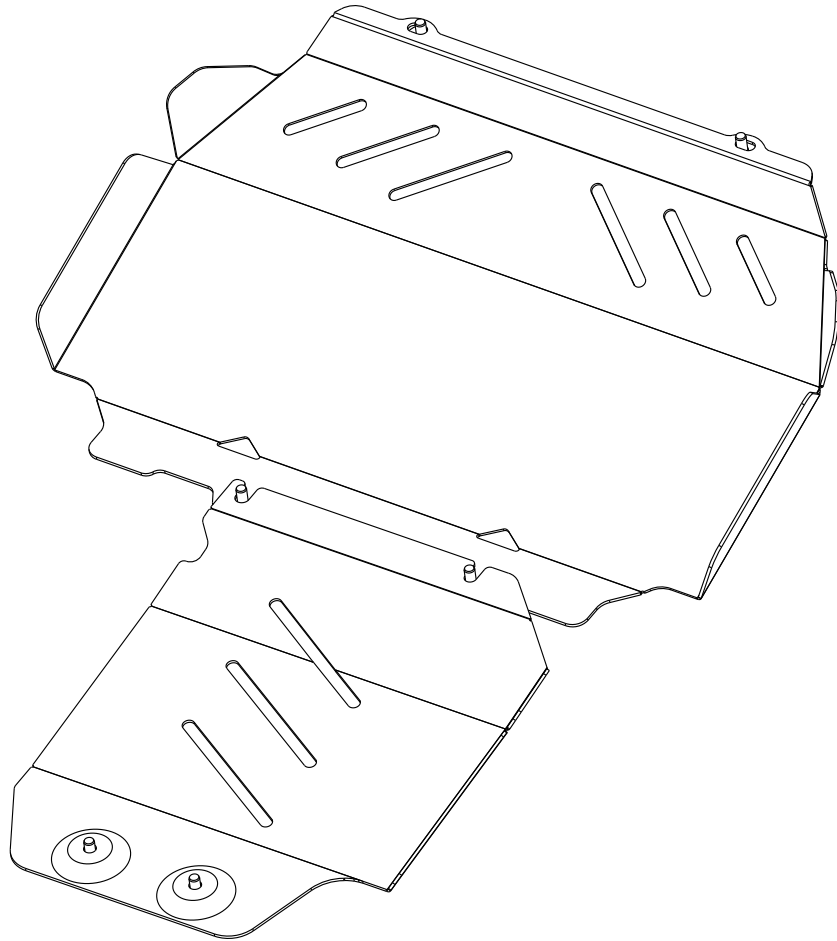
Incorrect



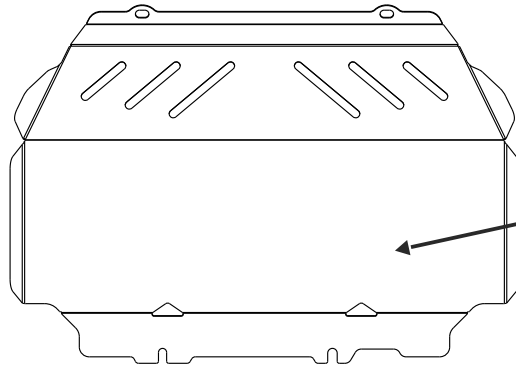
Location / Position Arrow



Movement Arrow

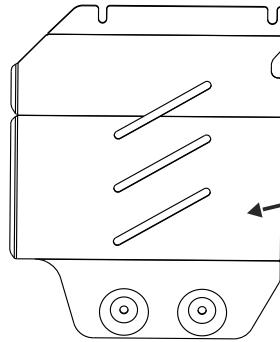


A



A1

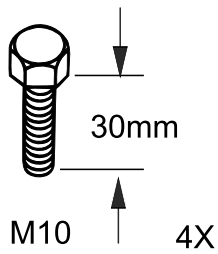
1X



A2

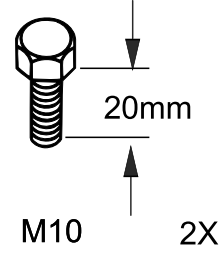
1X

B



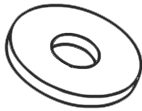
M10 4X

C

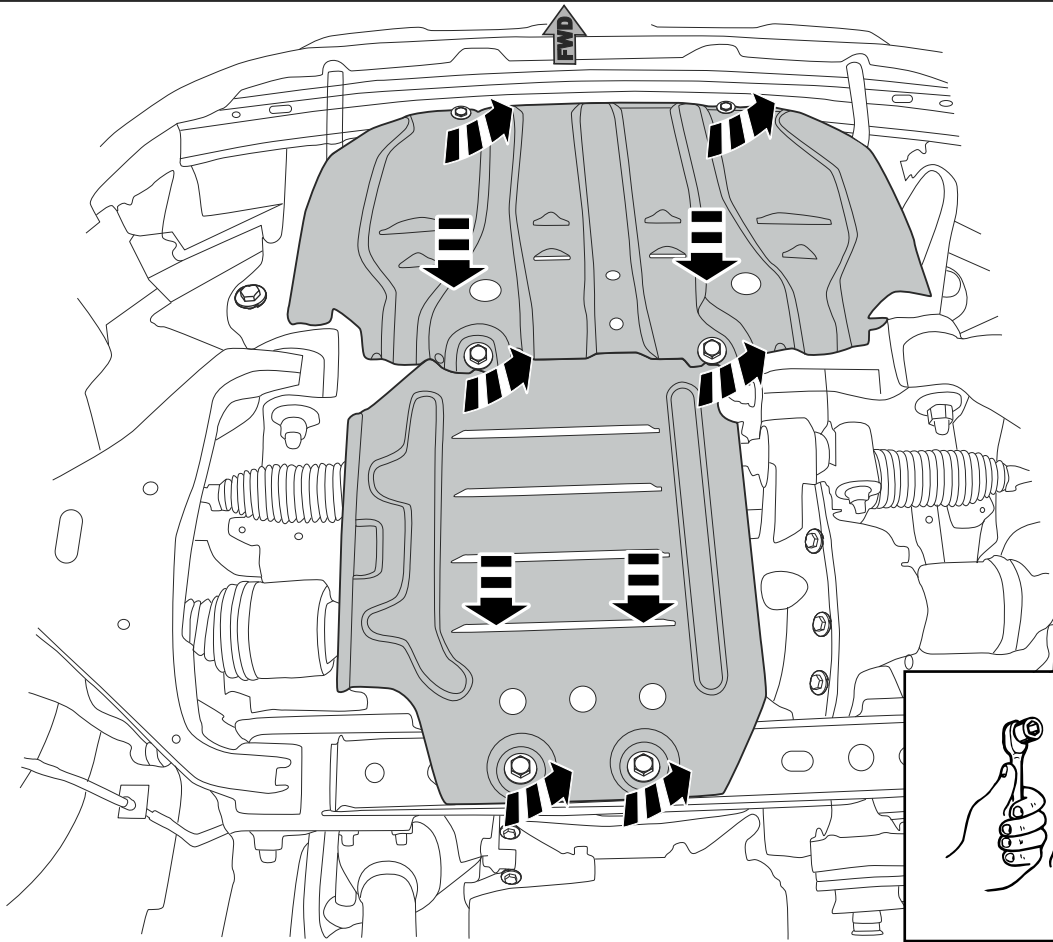


M10 2X

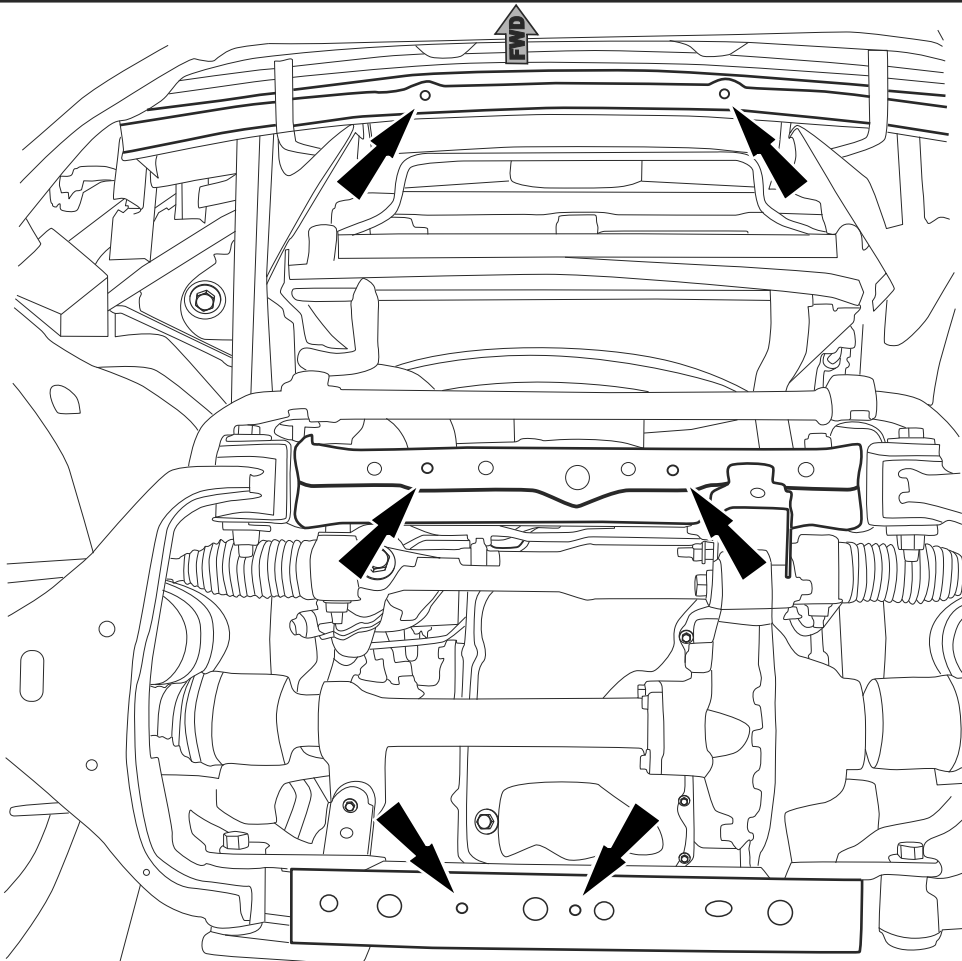
D



∅10 6X



1



2

