

ASAF CROSSBAR INSTRUCTIONS



Watch our installation video using the QR code.

PACKAGE CONTENT



A (x2)



B (x4)



C (x4)



D (x2 left / x2 right)



E (x4)



F (x2 left / x2 right)



5 (x1)



M6 (x4)



M8 (x4)

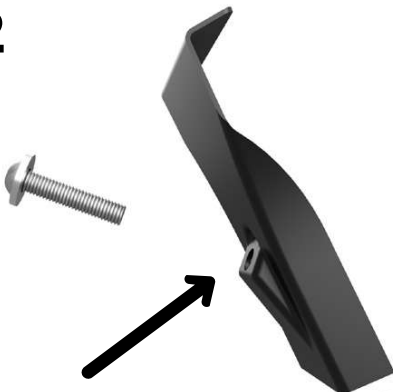
ASSEMBLY INSTRUCTIONS

1



Remove the protective sticker from the upper and lower surfaces of the crossbar before use.

2



Place the washer (M8) on the screw (M6) and then locate the screw in part (C).

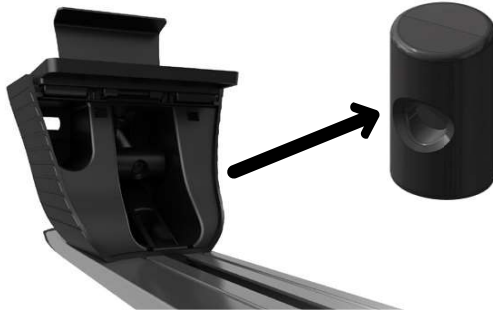
3



Place part (C) together with the screw in its housing on the crossbar, as shown in the figure.

ASSEMBLY INSTRUCTIONS

4



Place part (E) on the screw and tighten it.

5



Close the cap (F) by settling it in its housing (consider the left and right sided parts).

6



Place part (B) as shown in the figure.

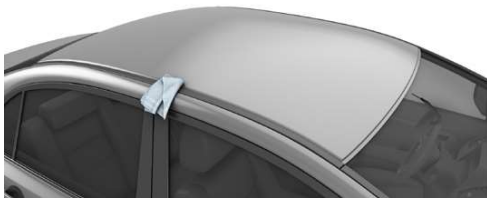
ASSEMBLY INSTRUCTIONS

7



Apply the same procedure for other legs.

8



Clean and dry the roof of the car.

9



The thicker side of the crossbar should face the front side of the car, while the side with rubber should face upwards. The “L” letter on the plastic part means that it should be assembled on the left, while the “R” letter means that it should be assembled on the right.

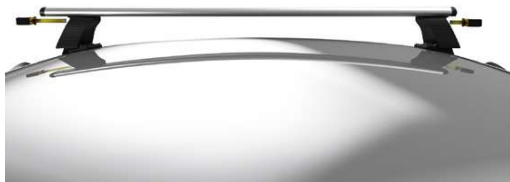
ASSEMBLY INSTRUCTIONS

10



While the doors of the car are open, place the crossbars on the roof, by ensuring that the metal parts settle in the door gap.

11



After placing the crossbars, measure the distance to make sure that they are properly centred.

12



Tighten the upper screws that face each other, until they tightly settle.

ASSEMBLY INSTRUCTIONS

13



Tighten the lower screw in half and then do the same for the opposite side.

14



Completely tighten the first lower screw and then do the same for the opposite side.

15



Place and lock the covers (D) of both sides.

ASSEMBLY INSTRUCTIONS

16



Repeat the steps between 9 and 15 for the second crossbar.

17



Cut and settle the rubber by ensuring that it fits in the groves below.

18



Pay attention not to leave any empty space and fill all groves with rubber by cutting suitable lengths of pieces.

ASSEMBLY INSTRUCTIONS

19



Avoiding empty spaces will minimise the noise to be felt in the car.

20

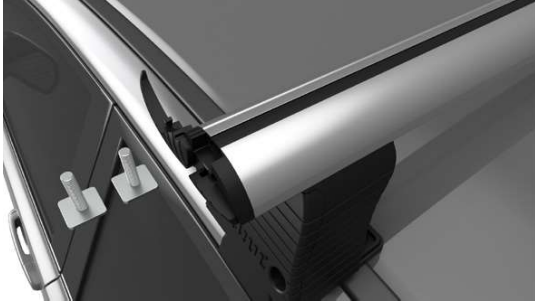


To check the equipment, hold the crossbars firmly and try to pull and push them backwards, forwards, rightwards and leftwards to make sure that they have been properly assembled.

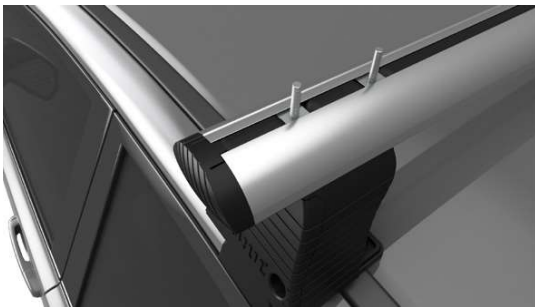


Carrier Assembly with

Flexible Rubber



When using the t-bolt to connect an apparatus on the crossbars, you can lift the cover on the tip of the crossbar while the crossbar is assembled on the car for easy installation.



The flexible nature of the rubber will allow you to slide the t-bolt without cutting the rubber.

Areas of Use

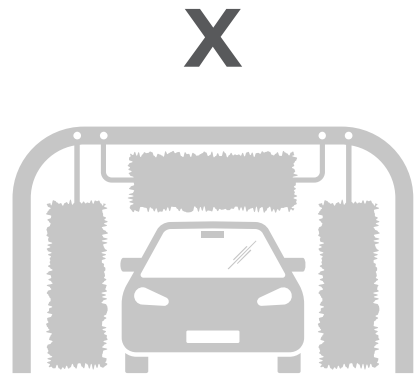
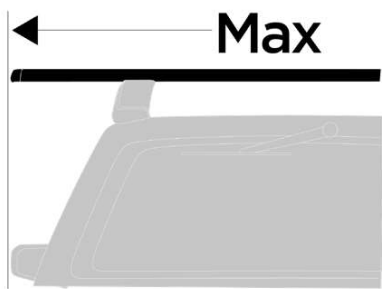
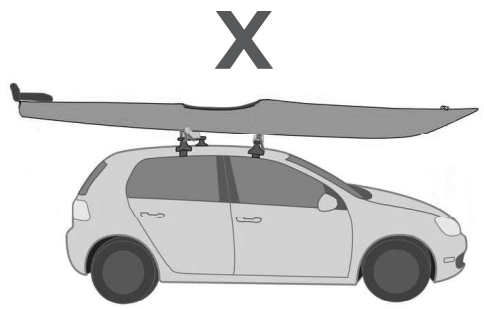
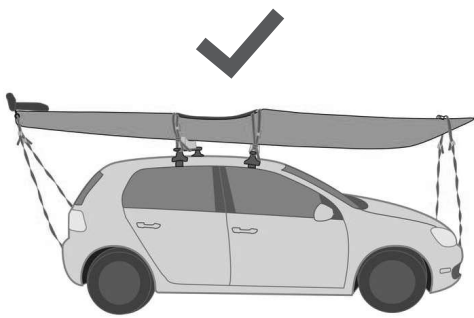


SAFETY PRECAUTIONS

1. Make sure that you have all the necessary parts by checking the assembly instructions.
2. Check and replace any worn or damaged parts regularly.
3. Clean and maintain the crossbars regularly, especially in winter months.
4. Keep all parts in a safe place when the equipment is removed.
5. Review and follow the assembly instructions and recommendation list. Complete each step in the recommended order.
6. When the crossbars are installed on the car, some sunroofs and/or radio antennas may not work or they may work with limited functions.
7. Maintain a distance of at least 27 inches (700 mm) between the crossbars.
8. When carrying heavy loads, maintain a distance of at least 23 inches (600 mm) between the crossbars.
9. Make sure the crossbars are securely assembled on the roof, each time they are assembled. To check whether the crossbars are secure, grasp them firmly and try to move them forwards and backwards, as well as sideways. If any part of the unit moves, tighten the assembly screws to eliminate movement. Check regularly that the load bars are secure.
10. Do not exceed the maximum load limit of 165 lb (75 kg). This limit value may be lower depending on the maximum roof load recommended by the car manufacturer. Always adhere to the recommended maximum roof load.
11. When calculating the load in relation to the maximum roof load allowed, add the weight of the crossbars and all attached parts to the weight of the load itself.
12. All items carried on the crossbars MUST be securely fastened. Use of elastic ropes is not safe.
13. Surfboards and other long items must be secured to both the front and rear of the vehicle.

SAFETY PRECAUTIONS

14. When carrying multiple surfboards, stack them on top of each other rather than side by side.
15. The load should not be wider than the width of the crossbars and they should be evenly distributed between the crossbars, with the lowest possible centre of gravity.
16. Before loading, remove all loose or removable parts of the load, such as all bicycle child seats, tire pumps, surfboards, etc.
17. When transporting skis, place them with the tips facing the rear of the car.
18. Check that the load is secure after a short distance and regularly on long drives, both at highway speeds or on rough roads. Tighten the load securing straps when necessary.
19. When transporting longer items such as upright bikes, the overall height of the vehicle would increase significantly. Be careful when entering low ceiling places and parking areas.
20. When a load is carried on the roof, the car's handling and braking behaviour will change and it will be more susceptible to cross winds.
21. The speed of the car should always be adjusted based on the load being carried and current driving conditions such as road type, pavement quality, wind conditions, traffic density and relevant speed limits. Never exceed 80 MPH (130 km/h) and always observe the speed limits and other traffic restrictions.
22. Drive slowly over bumps, with a top speed of 6 MPH (10 km/h).
23. Lock all lockable items during use.
24. Do not make any modifications on the product in any way.
25. The manufacturer cannot be held responsible for human or animal injury, property damage, or financial loss resulting from improper installation or use of the product. Always double check that the load is properly secured.



ASAF UNIVERSAL CROSSBAR INSTRUCTIONS



Watch our factory video using the QR code



Deutsche - Español - Français -
Русский - Türkçe - عربي