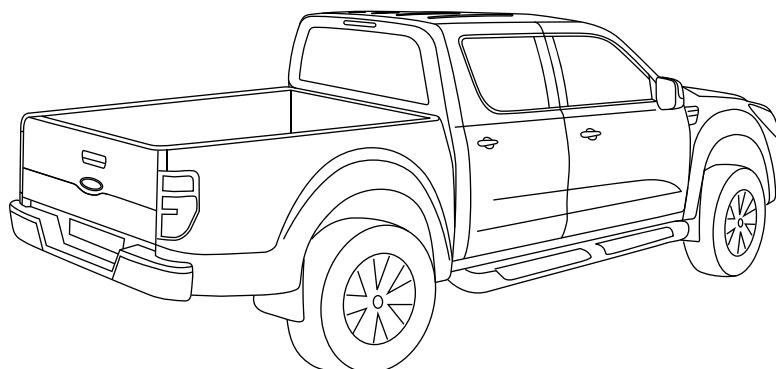


**DUST DEFENCE KIT  
FORD RANGER 2011-  
With and Without Ute Liner  
Installation Instructions**



**Kit Number: 037036**

Installation Time:  
Approx. 30min Without Ute Liner Fitted  
Approx. 1 hour With Ute Liner Fitted

**Place these instructions in vehicle's glove box after installation is complete**

**PLEASE REFER TO PAGE 2 OF THIS INSTRUCTION FOR A LIST OF PARTS AND QUANTITIES.**

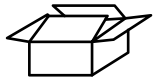
**IMPORTANT!**

- Read instructions carefully before installation.
- It is strongly recommended that installation is conducted by an authorized dealer.
- This product must be installed exactly as specified in these instructions.  
Failure to do so may result in improper fit and/or retention.

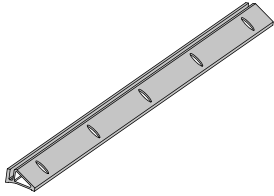
**RECOMMENDED TOOL LIST - (Not Supplied in Kit)**

- Drill & Ø5.5 & Ø9mm Drill Bit
- Sharp Scissors or Sharp Knife
- 4mm Allan Key
- Masking Tape
- Rivet Gun
- Marking Pen
- Centre Punch
- Rubber Mallet
- Torque Wrench
- Phillips head screwdriver
- Jigsaw
- Nutsert Tool

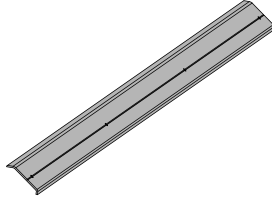
## PARTS CHECK SHEET



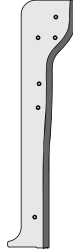
### PARTS IN MAIN CARTON



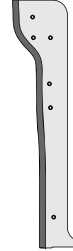
Base Extrusion  
Qty - 1



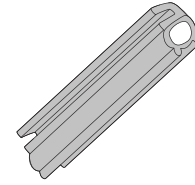
Cover Base Extrusion  
Qty - 1



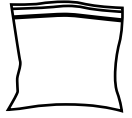
Tub Side Plate LHS  
Qty - 1



Tub Side Plate RHS  
Qty - 1



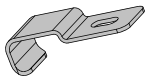
Pinch-weld Bulb Seal  
Qty - 1



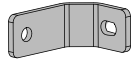
Fitting Kit  
Qty - 1



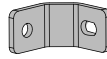
### PARTS IN FITTING KIT



Retention Clip  
Qty - 6



Bracket A (middle)  
Qty - 2



Bracket B (top & bottom)  
Qty - 4



M6 Nutsert  
Qty - 2



Self-tapping Screw  
Qty - 4



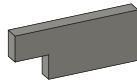
Washer  
Qty - 16



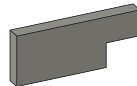
Rivet  
Qty - 5



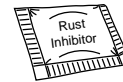
M6x15 Screw  
Qty - 16



Foam Pad RH  
Qty - 1



Foam Pad LH  
Qty - 1



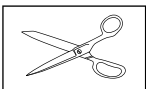
Rust Inhibitor  
Qty - 1



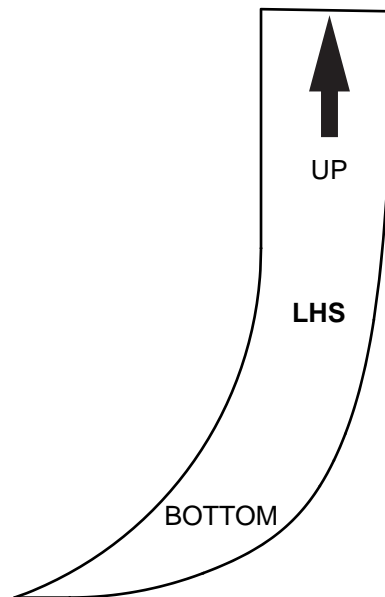
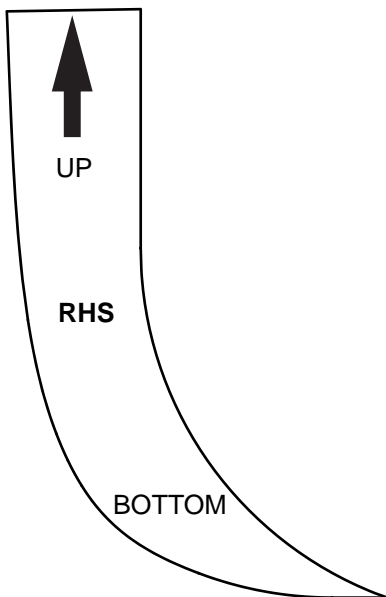
Alcohol Wipe  
Qty - 1



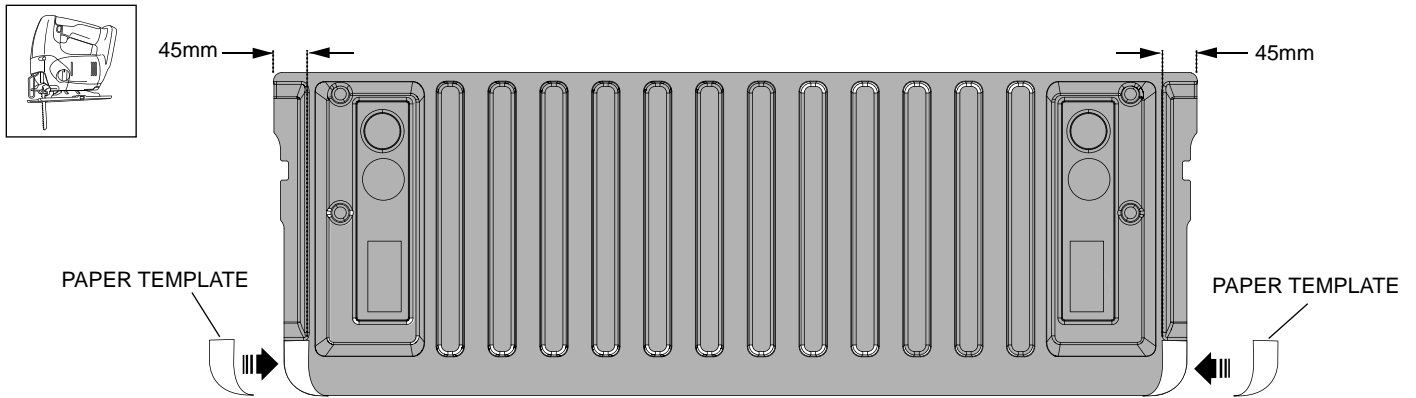
Primer  
Qty - 1



### TAILGATE TRIM TEMPLATES

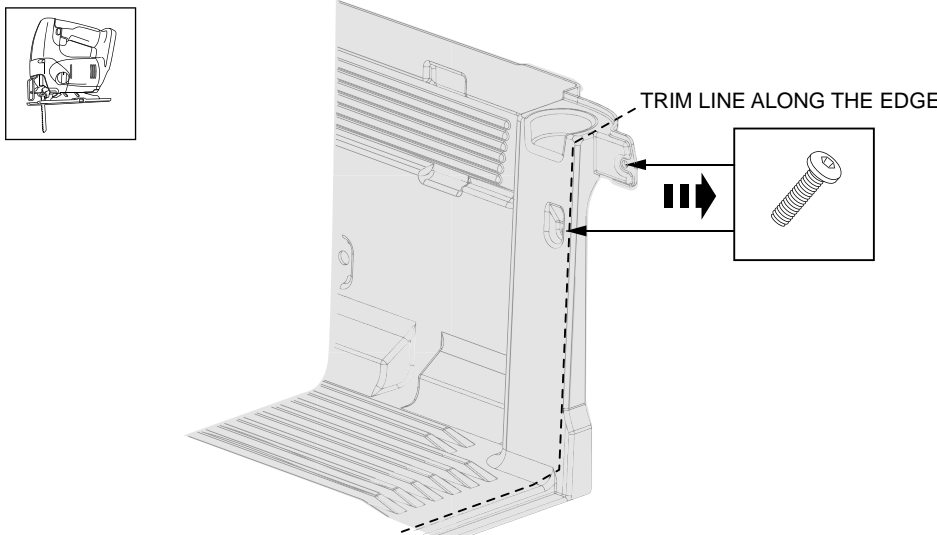


**FOR VEHICLES WITH UTE LINER PLEASE COMPLETE STEPS A B C**



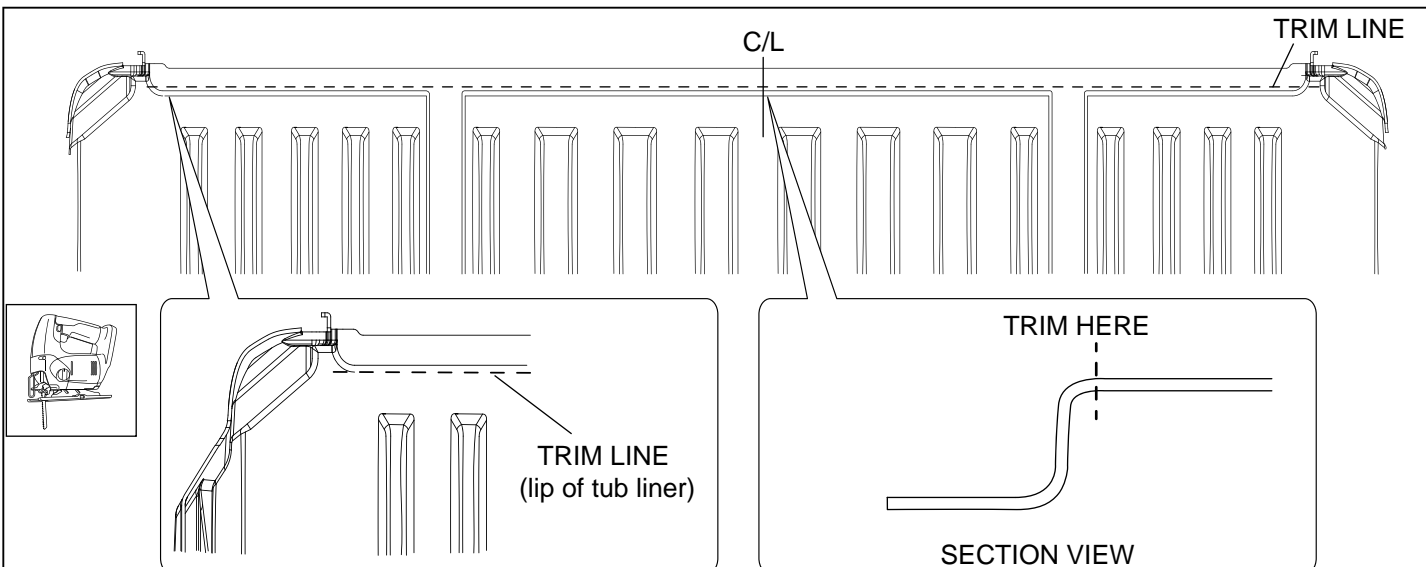
Remove the ute liner from the tailgate. Cut the two templates from the page 2. Place the template on the RHS of the ute liner aligning to the edge and mark using white pen.

**FIG. A** Remove template and trim ute liner using jigsaw. Repeat on the LHS of the ute liner.

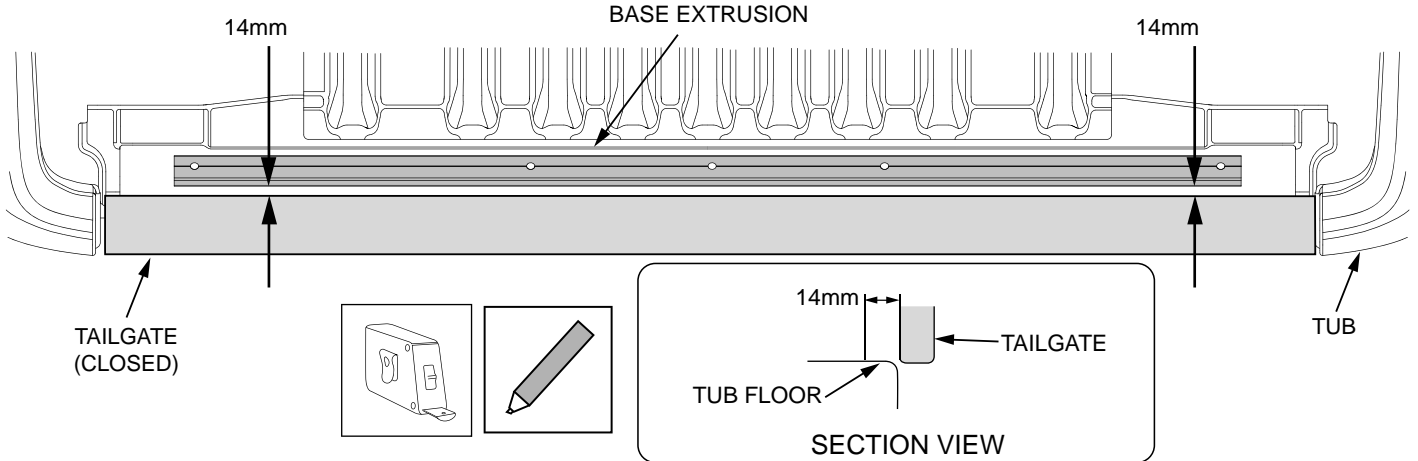


Mark-up the tubliner trim as shown and trim using jigsaw after marking in the next step and removing it. Retain the two screws holding the tubliner.

**FIG. B**

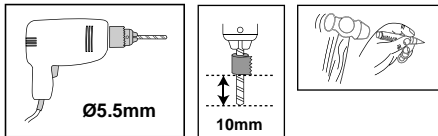


**FIG. C** Remove the ute liner from the tub and retain all the hardware. Trim along the top lip of the ute liner floor.

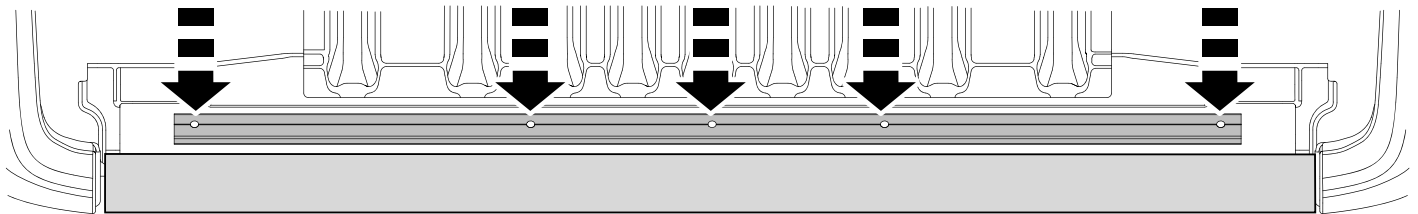


With the tailgate closed, measure and mark 14mm from the inside edge of the tailgate at 2 or 3 points. Carefully align the base extrusion with the 14mm marks and **centre it between the side plates**. Before drilling carefully close the tailgate and double check that the base extrusion is parallel with the tailgate i.e. there is an even gap between the base extrusion and the tailgate. If in doubt, carefully fit the pinchweld seal temporarily and check the operation of the tailgate is not hindered by the seal.

**FIG. 1**

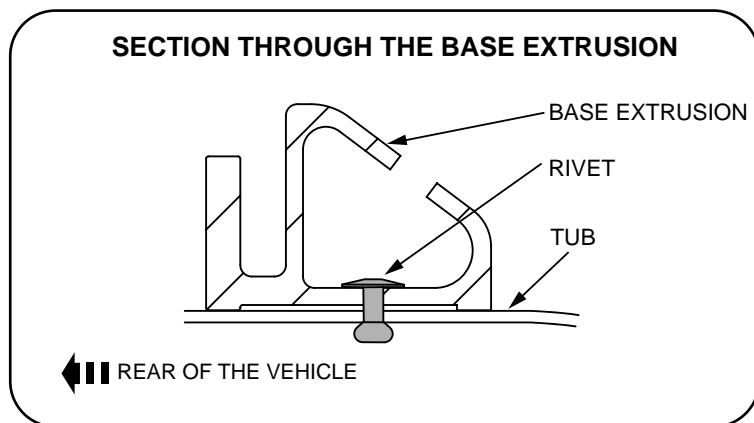
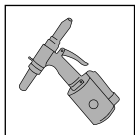


**IMPORTANT:** Set the drill to 10mm depth to avoid damaging the vehicle.



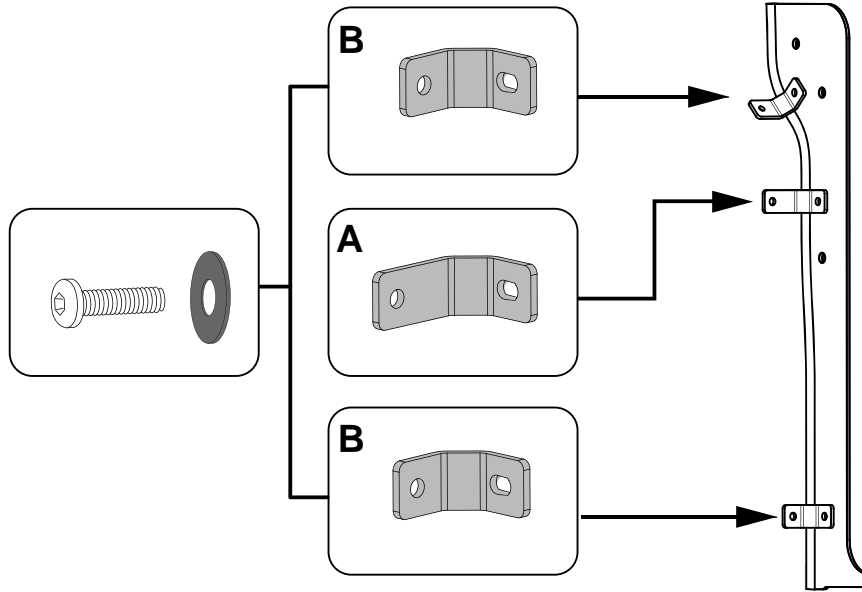
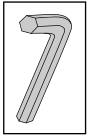
Using the pre-drilled holes in the base extrusion as a guide, centrepunch and drill 5 holes through the centres of the slots in the base extrusion and tub with 5.5mm drill set to 10mm depth. Apply rust inhibitor.

**FIG. 2**



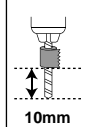
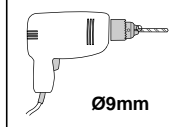
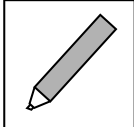
**FIG. 3**

Secure the extrusion to the tub using 5 rivets.



Fit brackets A & B to the side plate (RHS shown) using M6 screws and washers as shown (do not tighten).

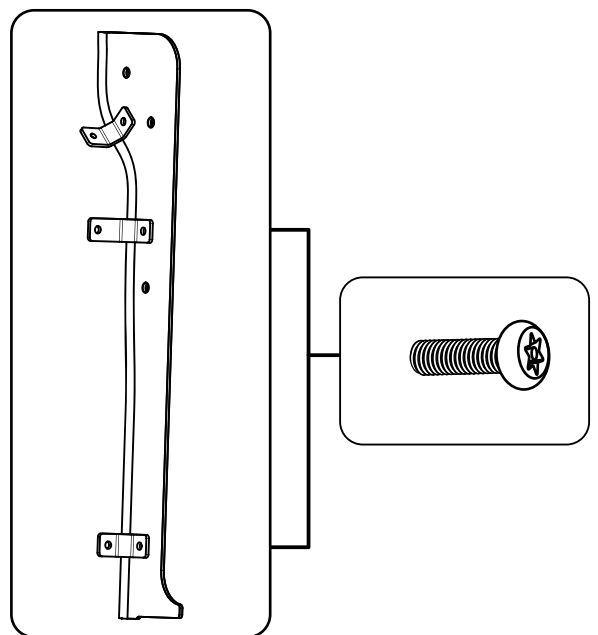
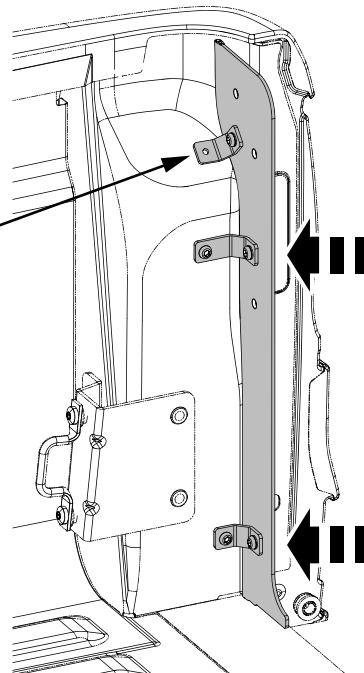
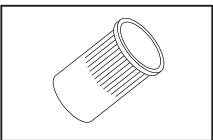
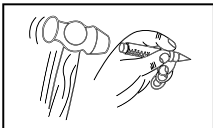
FIG. 4



**IMPORTANT:** Set the drill to 10mm depth to avoid damaging the vehicle.

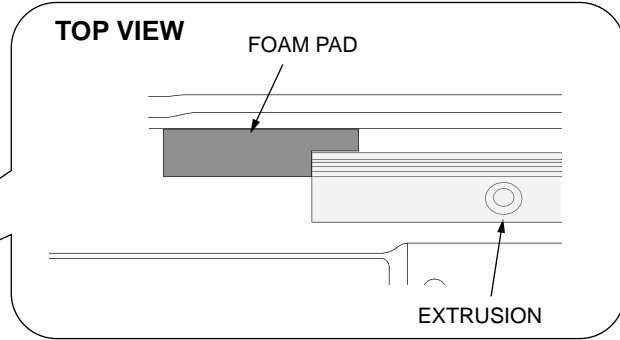
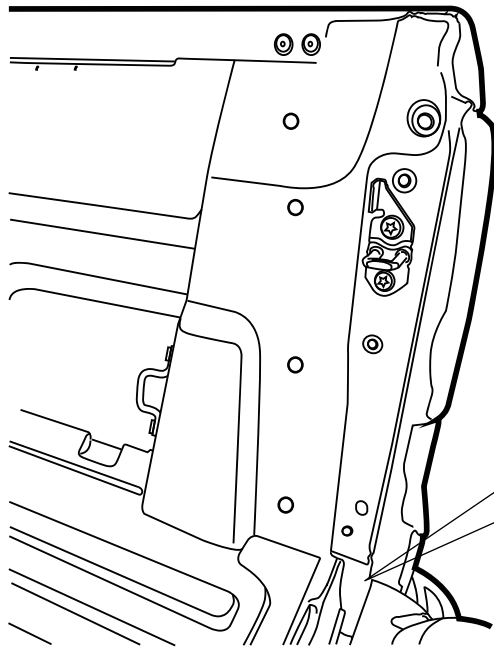


MARK HOLE CENTER



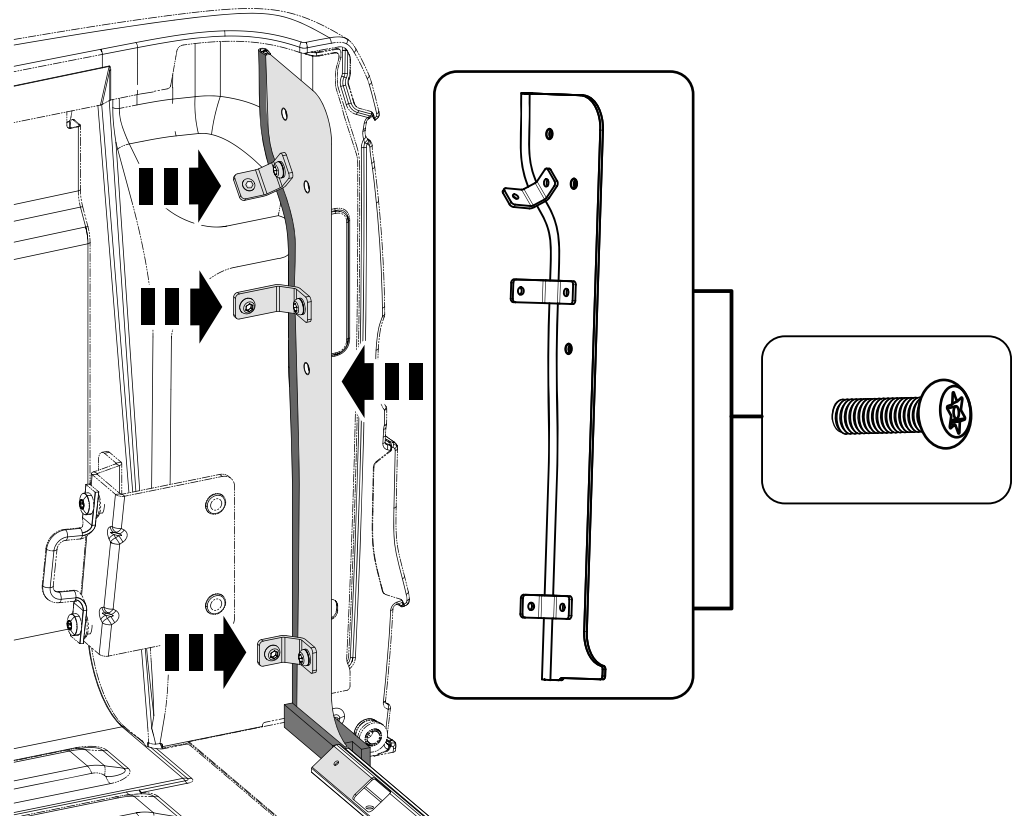
Trial fit the side plate to the tub using the bottom two brackets. Secure to the tub using retained screws. The bracket should sit flat at the bottom of the tub. Mark the centre of the top bracket and remove the side plate. Repeat for the opposite side using the LHS bracket. Drill the marked holes with 9mm drill bit and apply rust inhibitor. Fit supplied Nutsert to the hole using nutsert tool.

FIG. 5



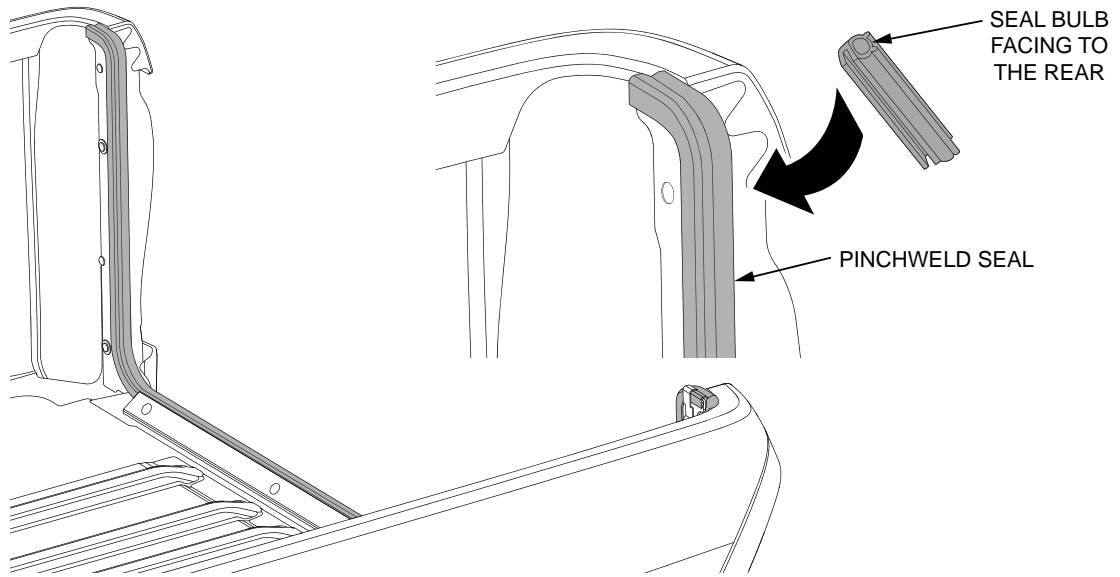
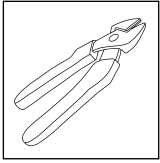
Clean the surface where the foam pad will go using the alcohol wipe, then apply primer. The foam pad should be applied flush between the extrusion and the tub flange.

**Note: The side plates will sit on top of the foam pads to create seal.**

**FIG. 6**

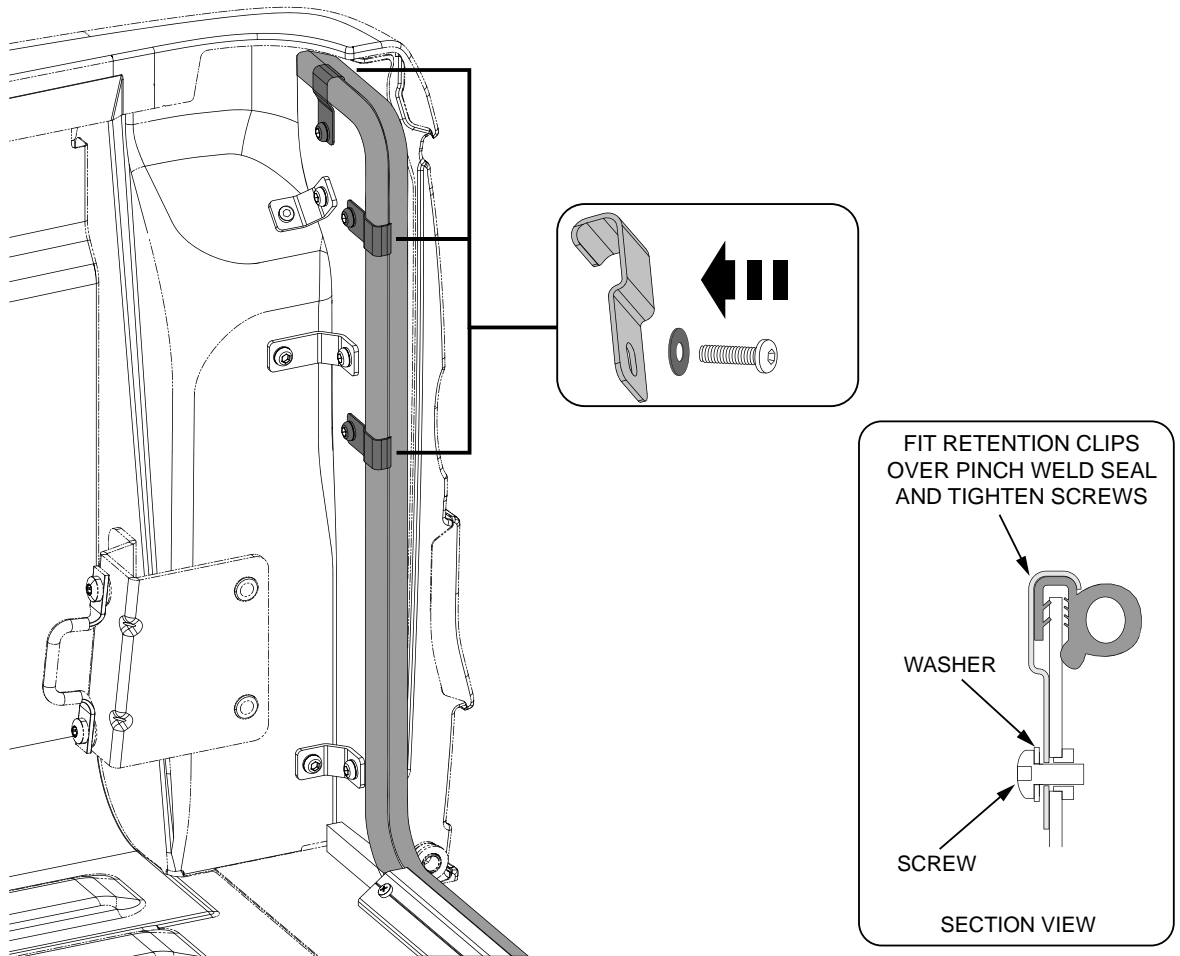
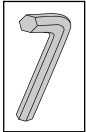
Fit tub side plate to the vehicle tub & align the holes. Ensure the bulb seal is attached to the plate. The side plate should sit centrally on the foam pad and compress it to the floor. Secure with 2 retained screws.

**FIG. 7** Tighten the screws to **5Nm**.



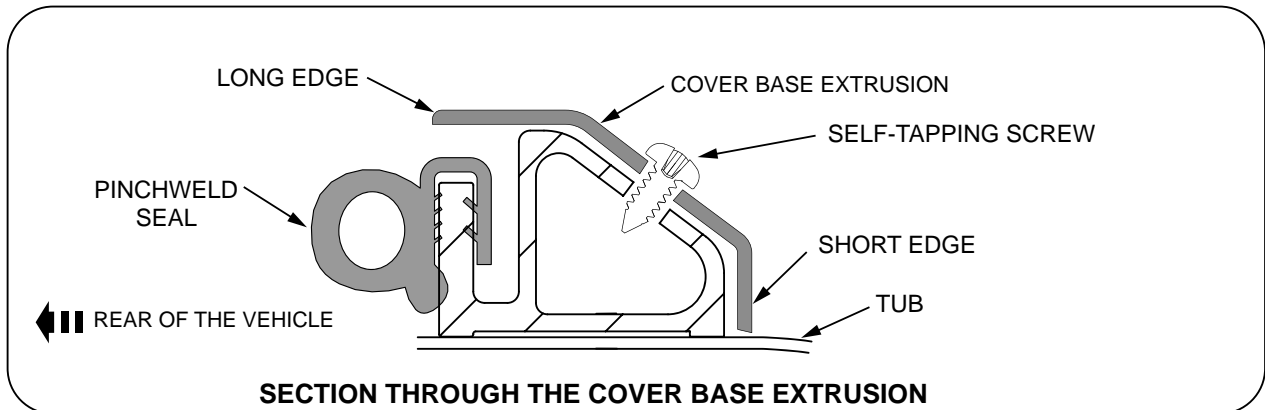
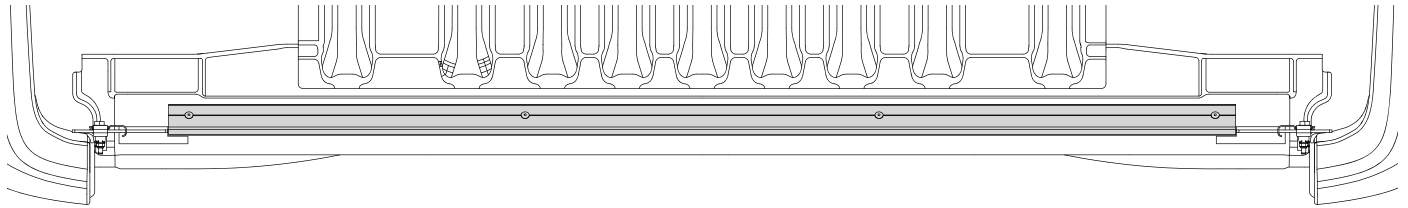
Install the pinchweld seal starting from the top of the RHS side plate. Use a rubber mallet to tap the pinchweld onto the side plates and base extrusion. Trim any excess pinchweld seal.  
**Note:** When installing the seal, position the retention clips over the seal.

**FIG. 8**



Position the top retention clip over the pinchweld and screw into place with screw and washer as shown.  
**NOTE:** If the dust defence kit is fitted with a Rolltrac, check gap between Rolltrac hand rail and the top of the retention clip - should be at least 1mm. If less than 1mm, fit the screw and washer without the retention clip.  
 Torque screws to 5Nm.

**FIG. 9**

**TUB TOP VIEW****SECTION THROUGH THE COVER BASE EXTRUSION**

With the longer edge to the top, fit the base extrusion cover over the pinchweld seal and align the cover with the pre-drilled holes in the base extrusion. Fit the cover into place using the four self-tapping screws.

**FIG. 10**

Reinstall the tubliner.