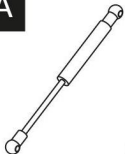
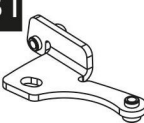

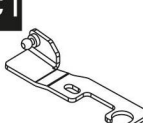




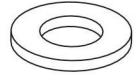
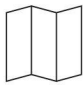


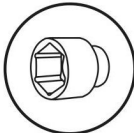
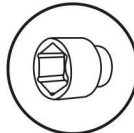


# Isuzu D-Max


## HOOD GAS STRUTS Installation Instructions




<b>A</b>  x2	<b>B1</b>  x1	<b>B2</b>  x1	<b>C1</b>  x1	<b>C2</b>  x1
<b>D</b>  x2	<b>E</b>  x2	<b>F</b>  M8x20 x6	<b>G</b>  Ø8 x4	 Installation Instructions
<b>Required Tools</b>				
   				
12 mm      13 mm				

Model year: 2012-2015; 2015-2018; 2018-

Compatibility: all types

Weight:  1 kg

Installation time:  30 min

