

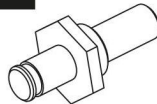

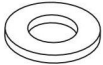

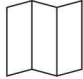


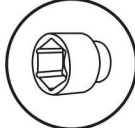




Isuzu D-Max


TAILGATE STRUT KIT Installation Instructions




| | | | | |
|---|---|---|---|---|
| A  x1 | B  x1 | C  x1 | D  M8x20 x1 | E  x2 |
| F  x2 |  Installation Instructions | | | |
| | | | | |
| Required Tools | | | | |
|  |  |  17 mm |  HEX 5 |  TORX 40 |
| | | | | |

Model year: 2012-2015; 2015-2018; 2018-

Compatibility: all types

Weight:  1 kg

Installation time:  30 min

