



Land Cruiser 120

(J12)

2002-2009

24.0753 V2/24.0751

23/04/13

1/7



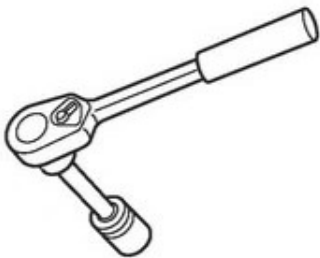
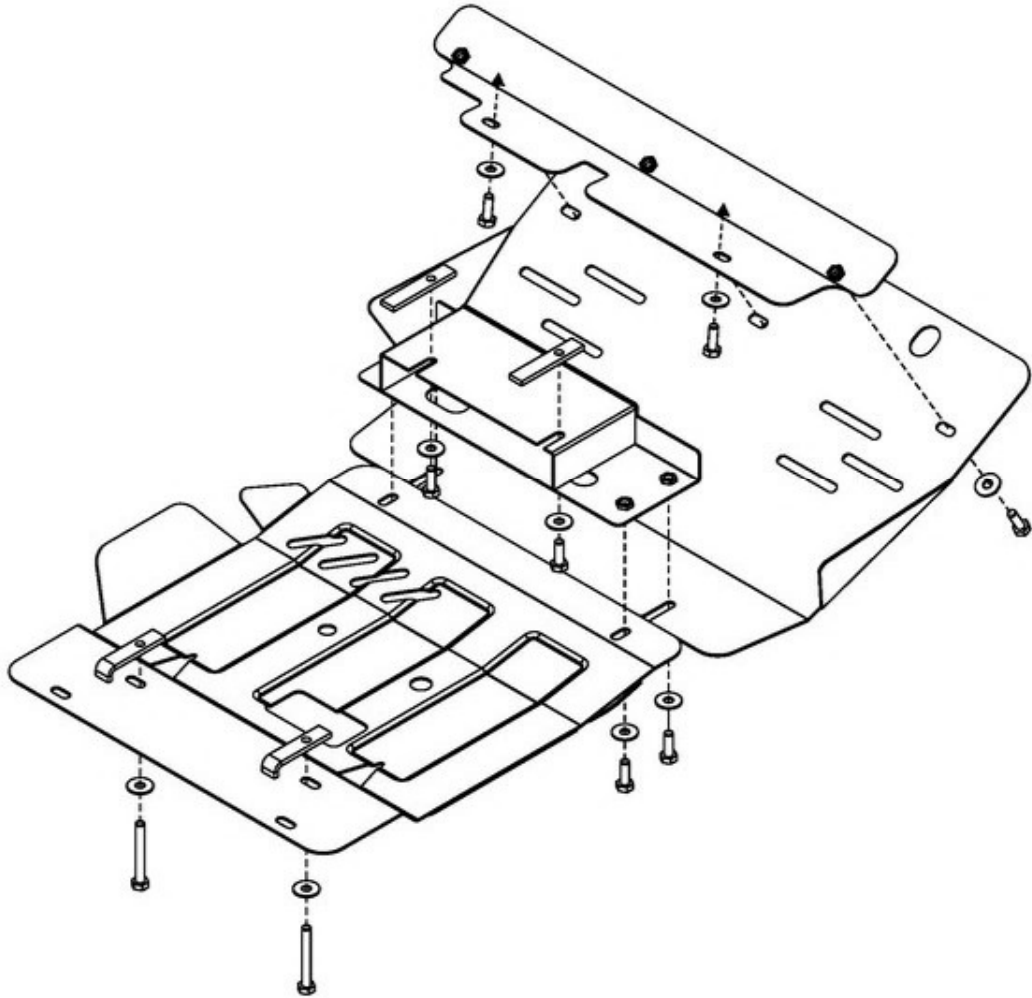
**GB** Location/Position Arrow



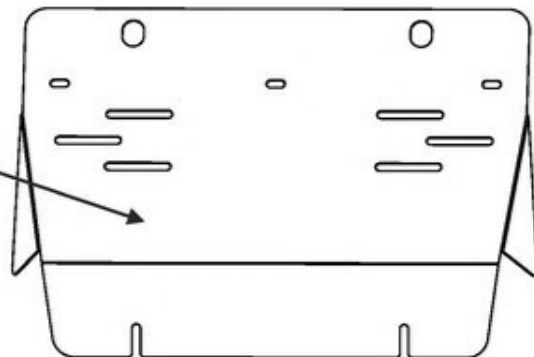
**GB** Movement Arrow



**GB** Screw Arrow

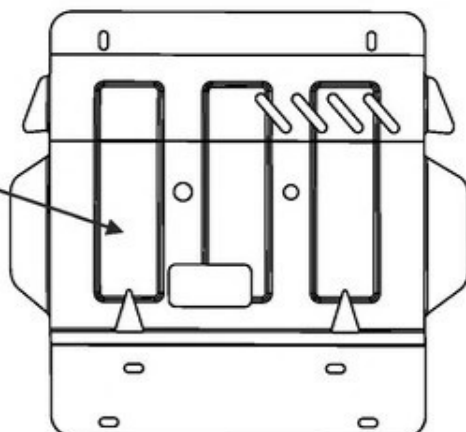


**A1**



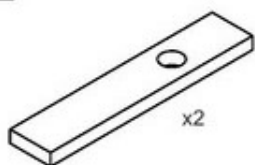
1X

**A2**



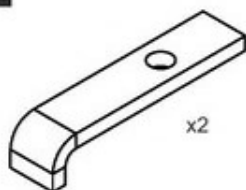
1X

**B1**



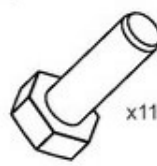
x2

**B2**



x2

**C1**



x11

M10x30

**C2**



x2

M10x80

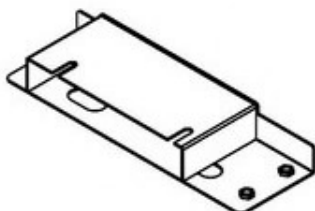
**D**



x13

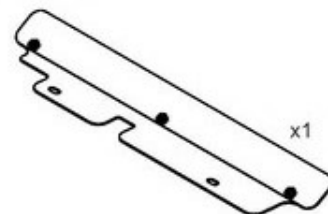
Ø10

**E**

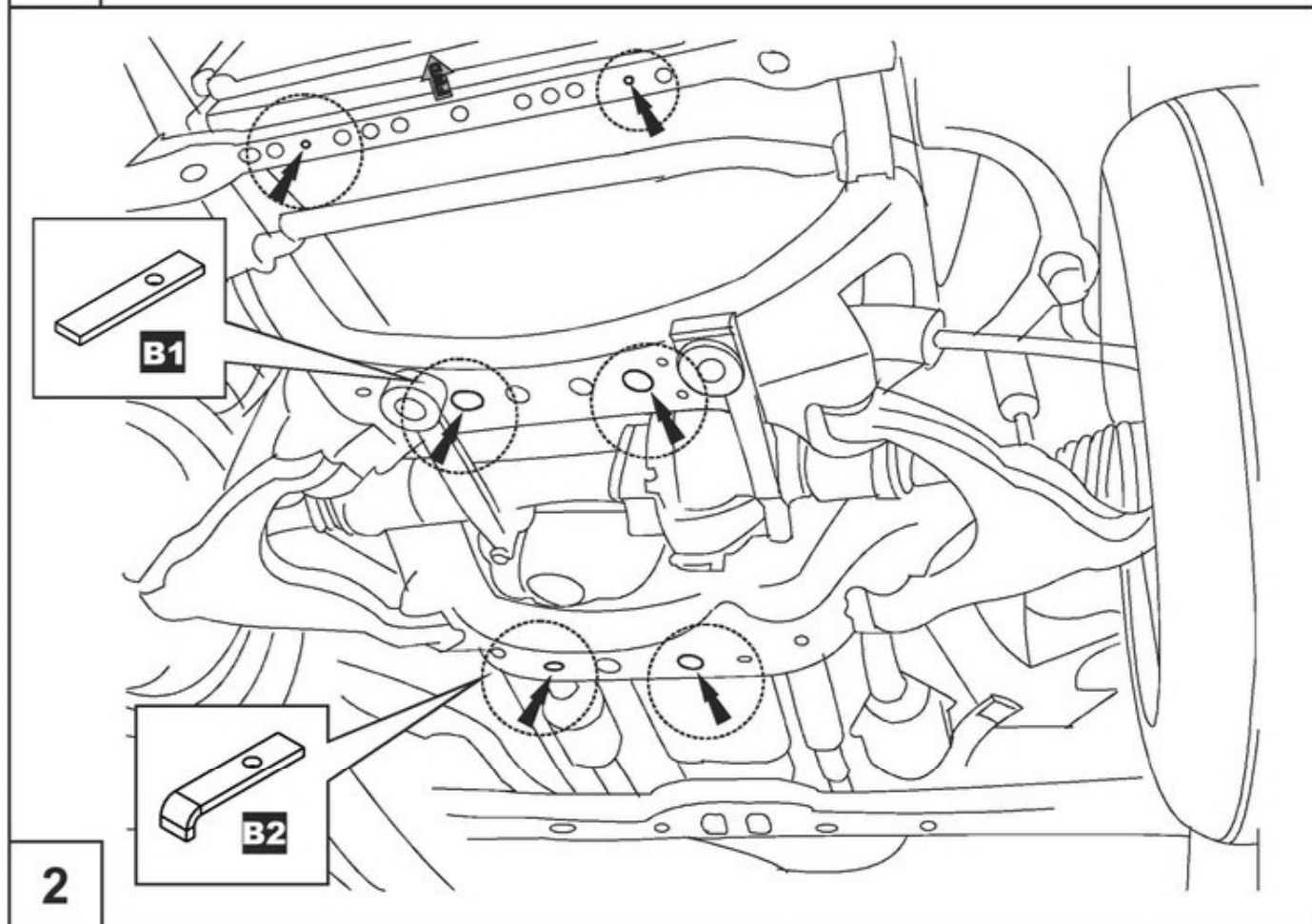
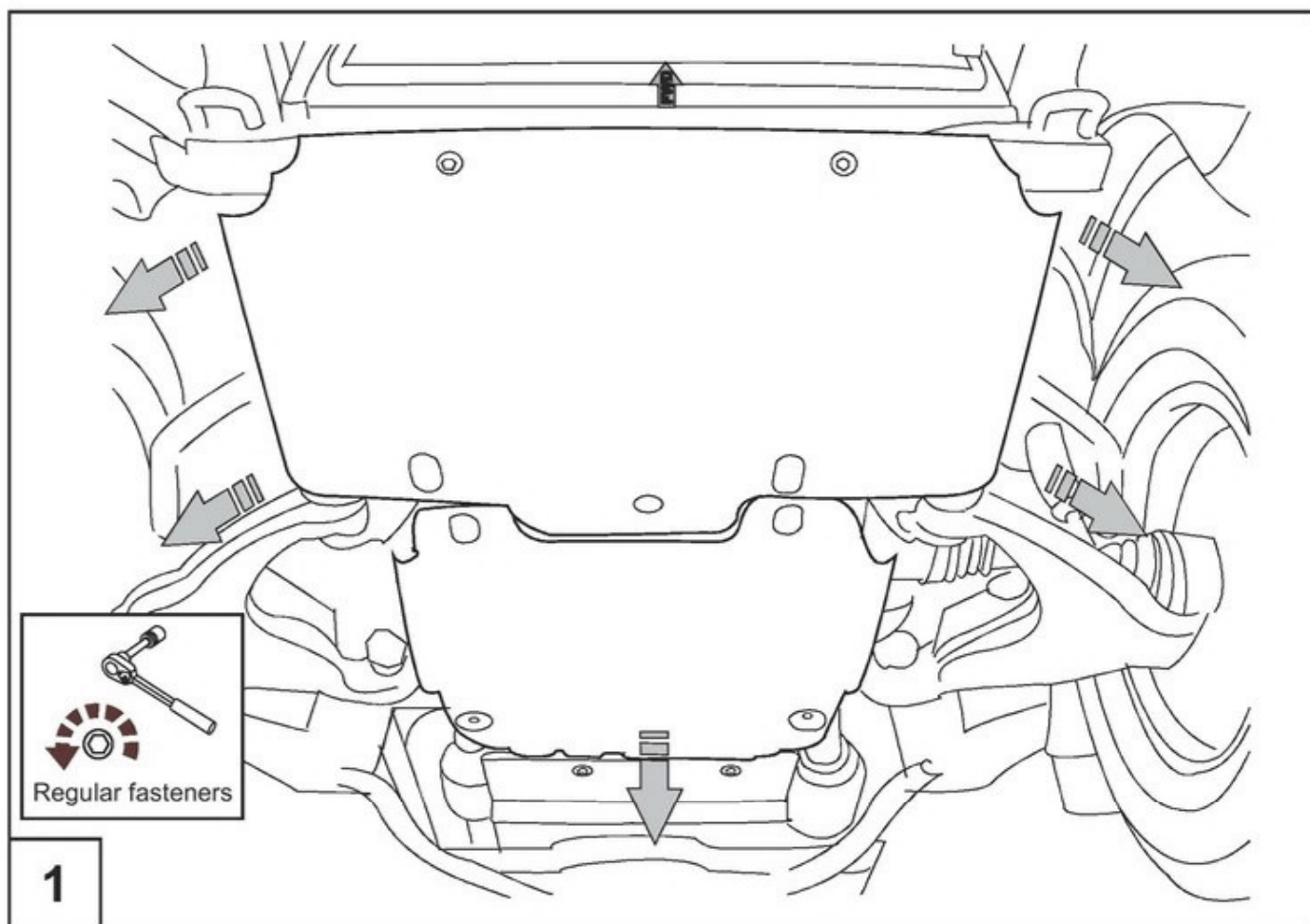


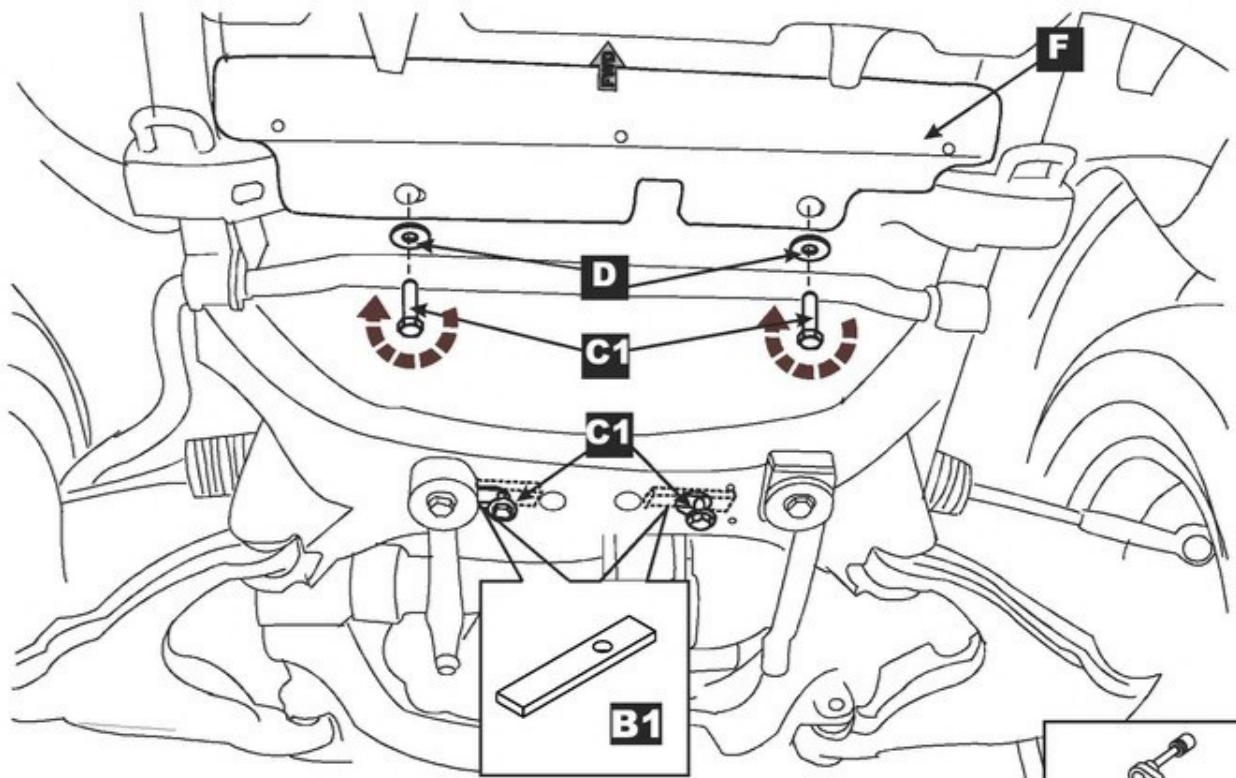
x1

**F**

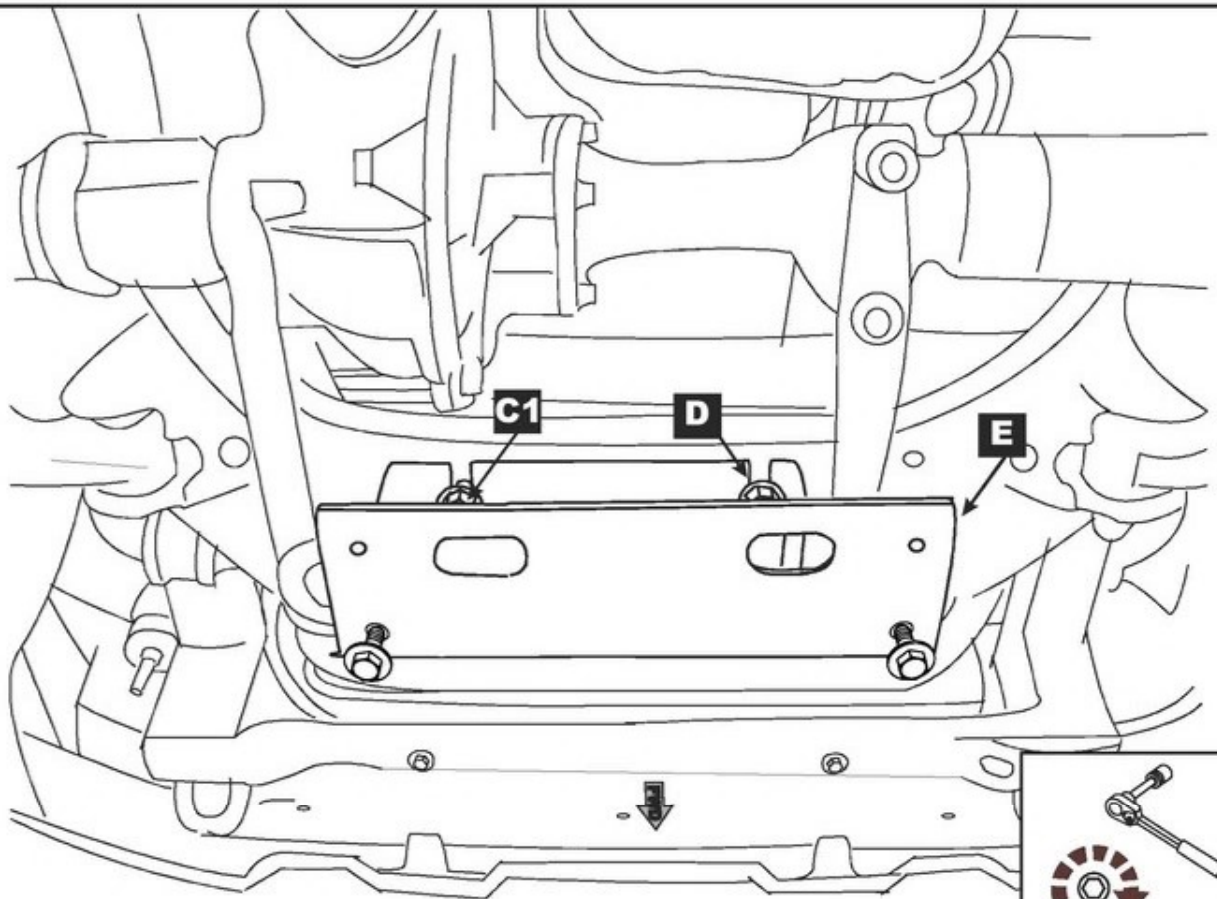


x1



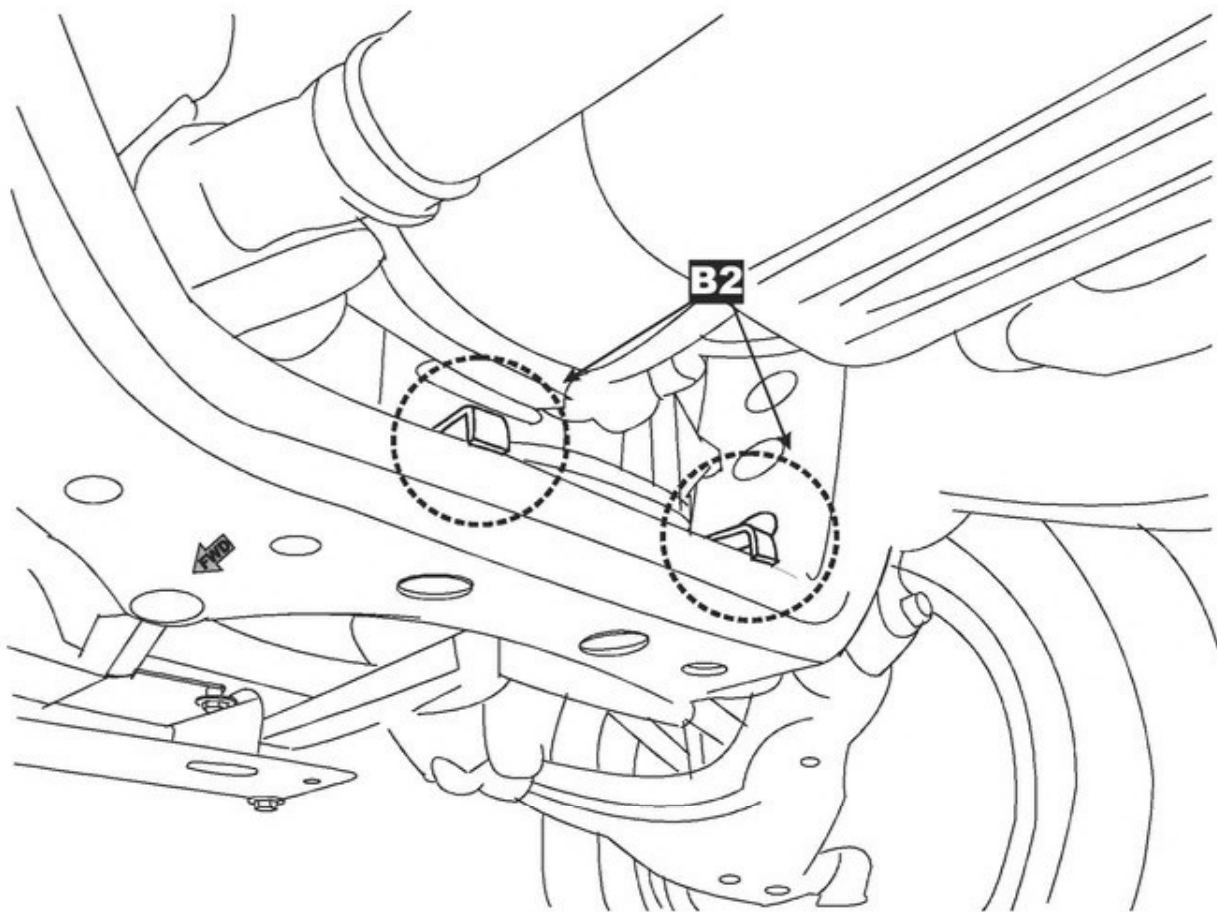


3

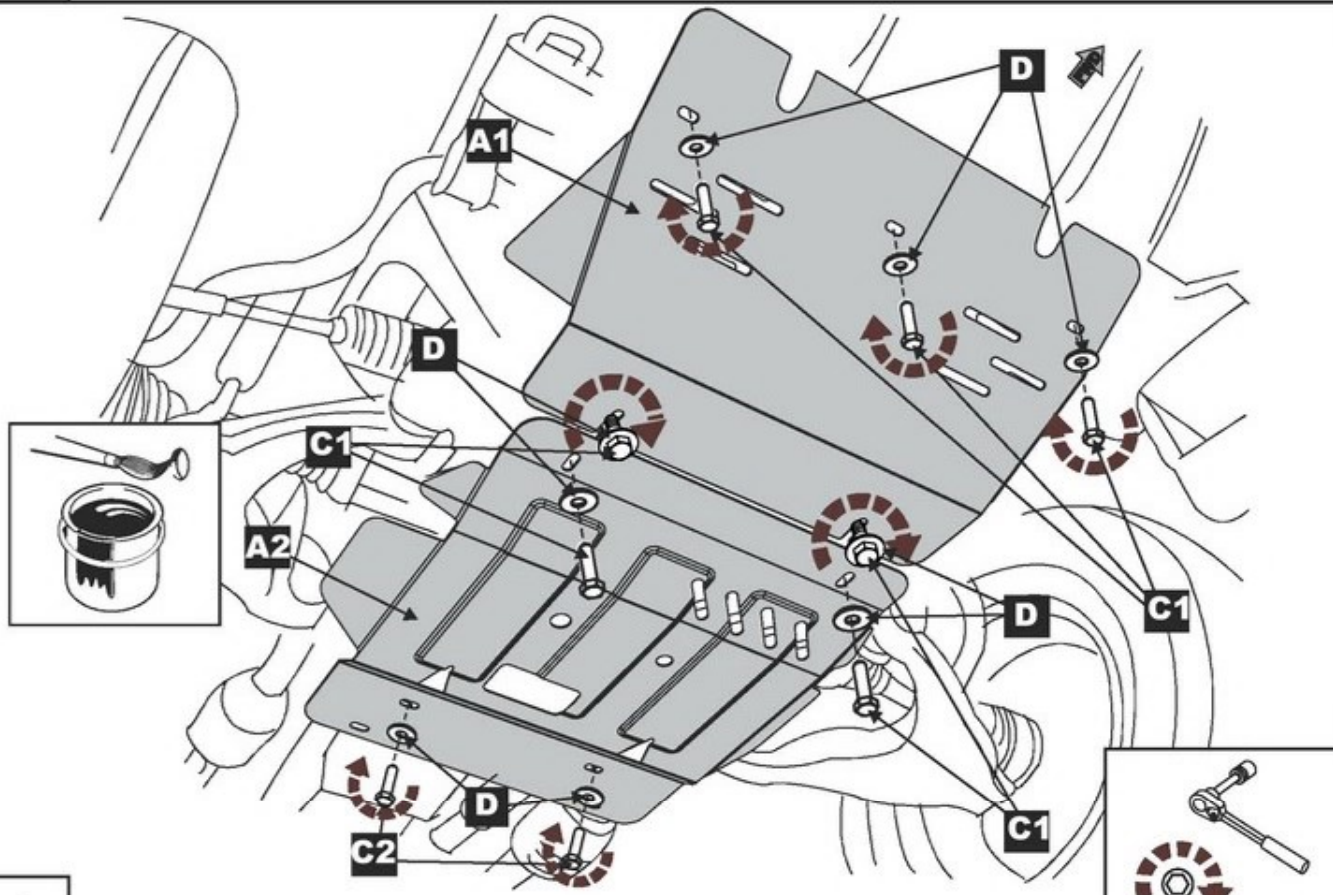


4





5



6

M10 = 47 Nm

**INSTALLATION:**

Engine bay and transmission elements skid plate has been designed particularly for a certain vehicle. It should be mounted according to the producer's installation instruction by a dedicated dealer or on certified service stations. The skid plate is fixed to regular apertures located on vehicle's body load-bearing elements. In case of correct installation the skid plate should not interfere with any vehicle's units and components.

**OPERATING CONDITIONS:**

Engine bay and transmission elements skid plate has been designed to operate in conditions specified by vehicle's producer. Cases of crush or driving into obstacles at a speed should be excluded during exploitation. In case of head-on crush it is necessary to assure in absence of crush damages of vehicle's components and units and availability of roadworthiness on certified service stations.