



Land Cruiser 120

(J12)

2002-2009 

24.0753 V2/24.0751

23/04/13

1/7



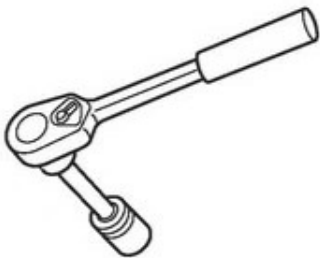
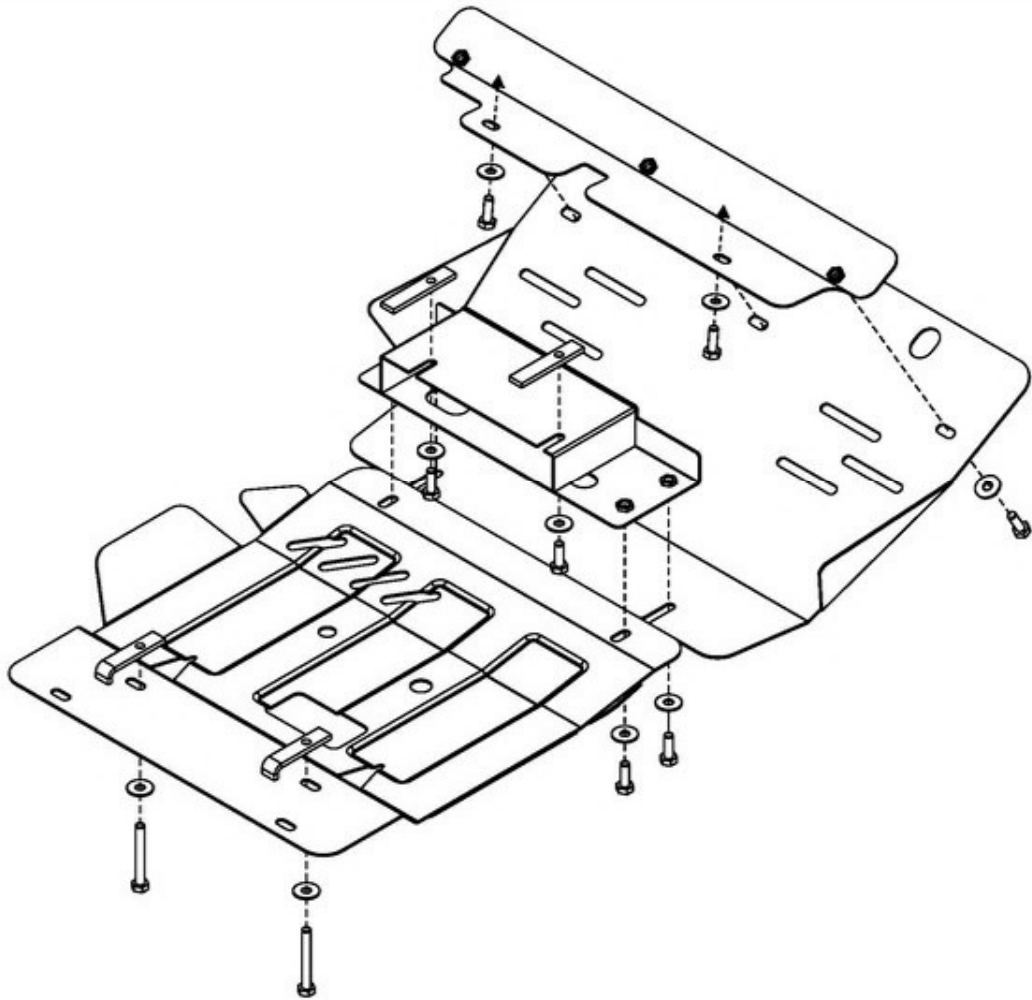
GB Location/Position Arrow



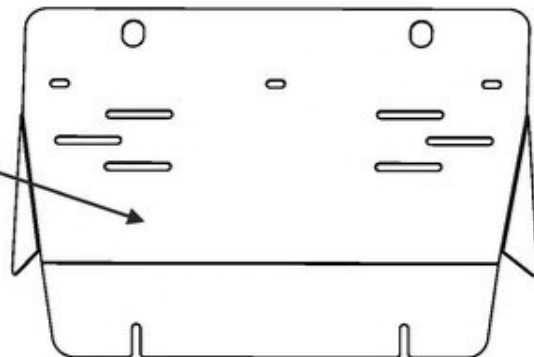
GB Movement Arrow



GB Screw Arrow

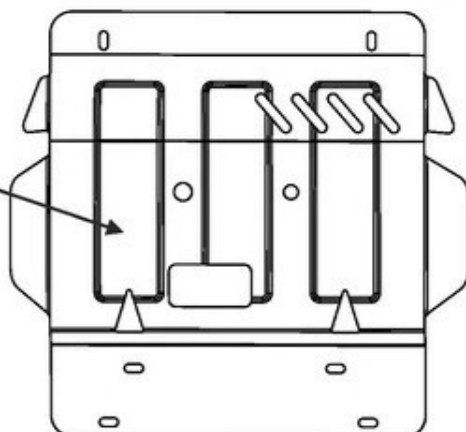


A1



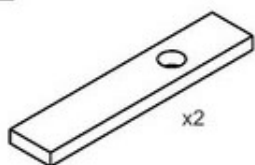
1X

A2

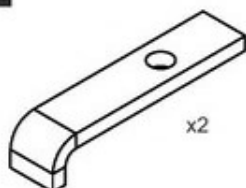


1X

B1



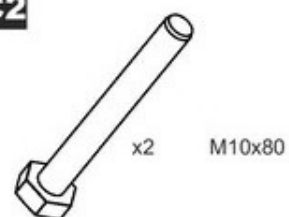
B2



C1



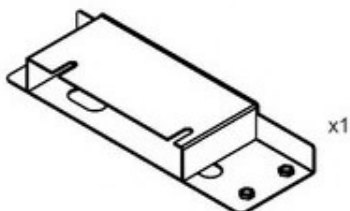
C2



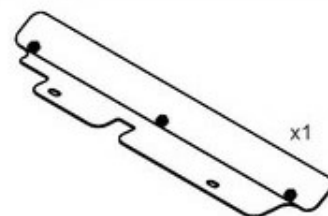
D

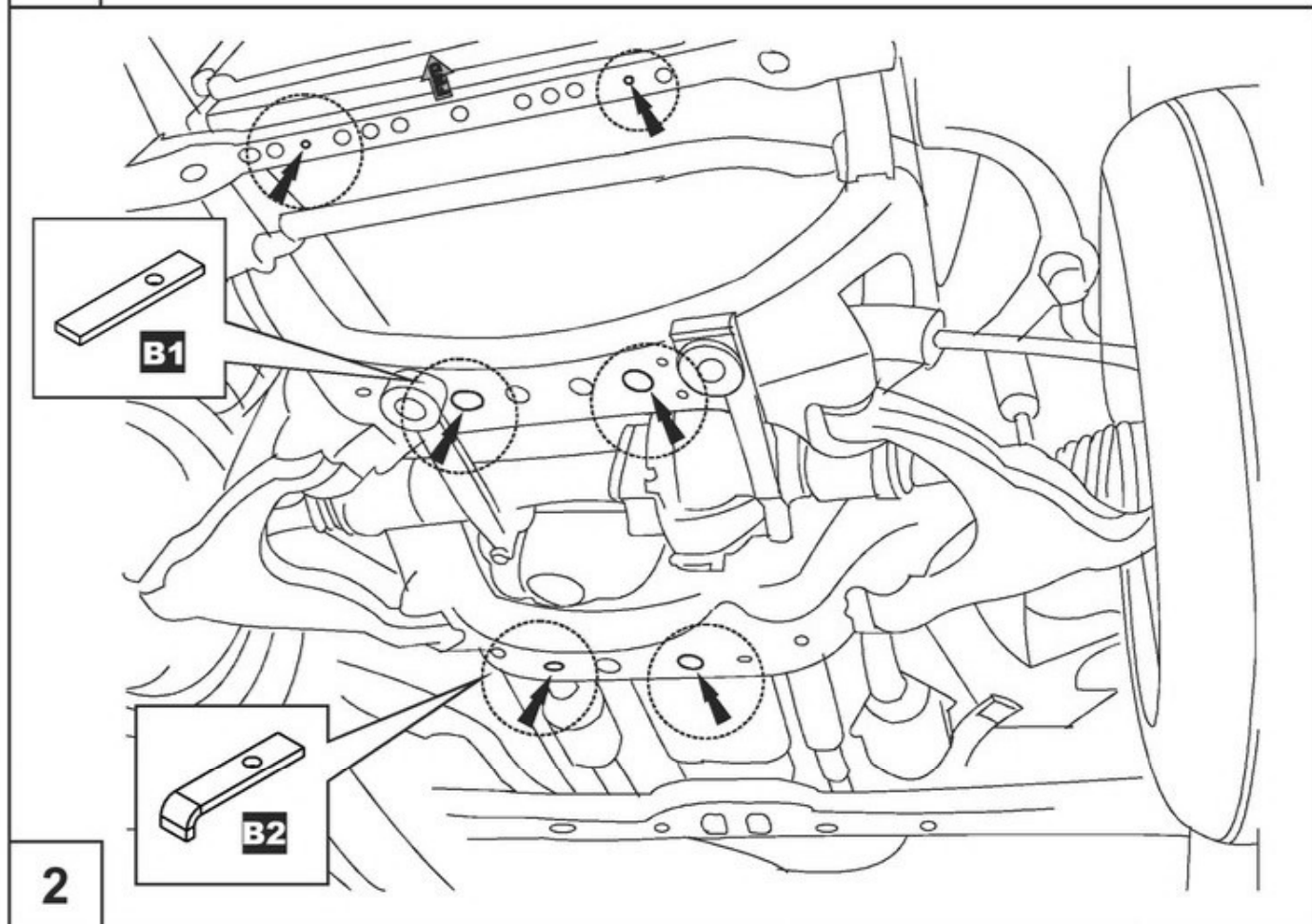
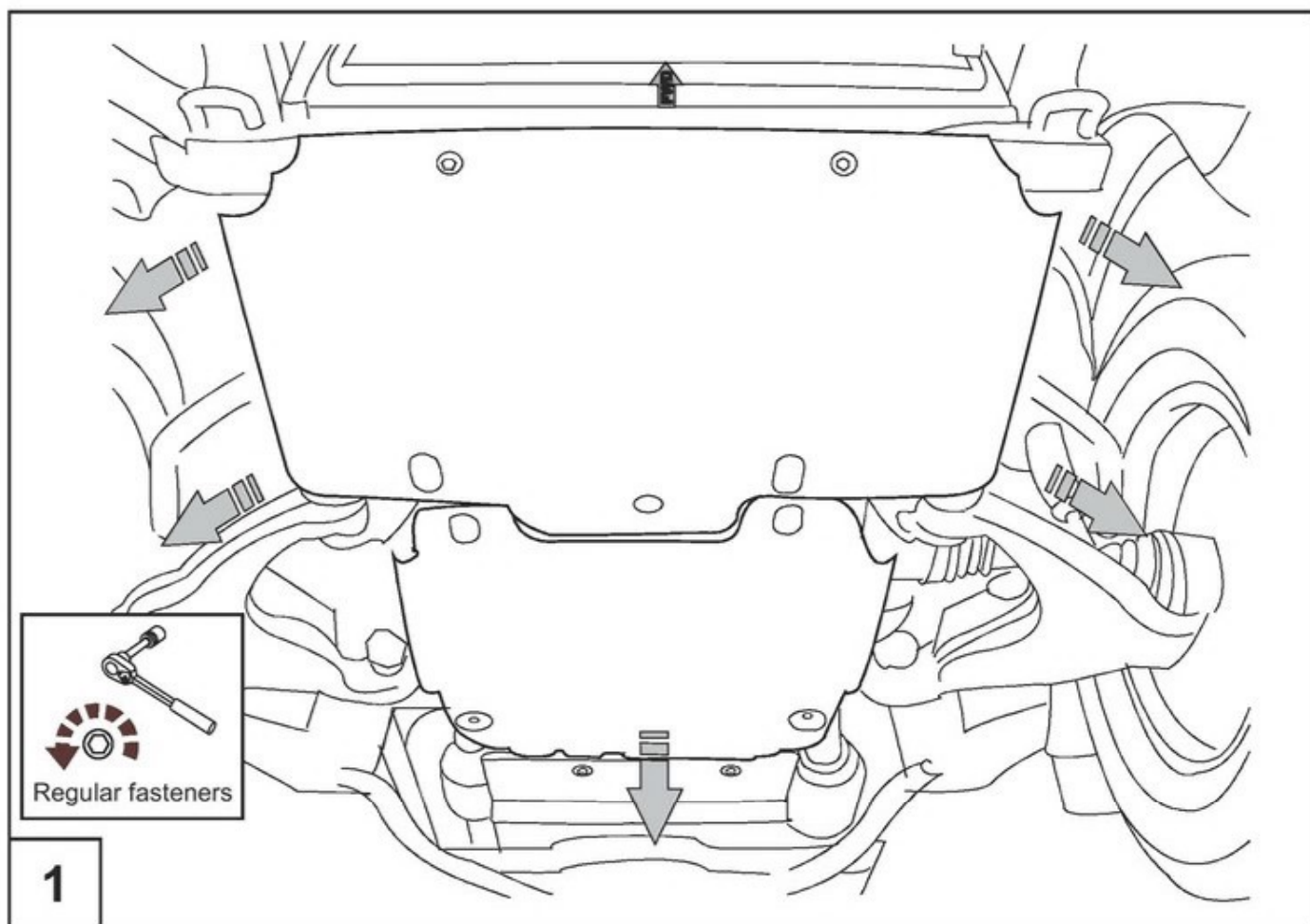


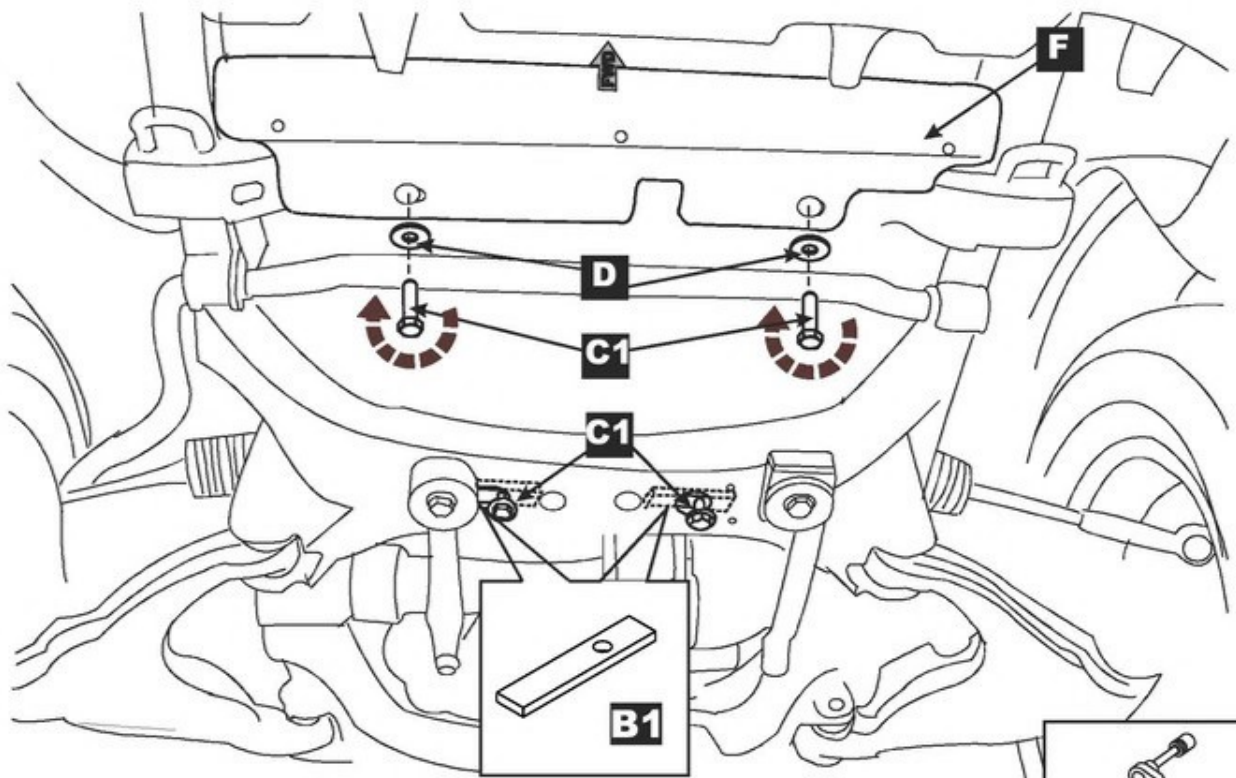
E



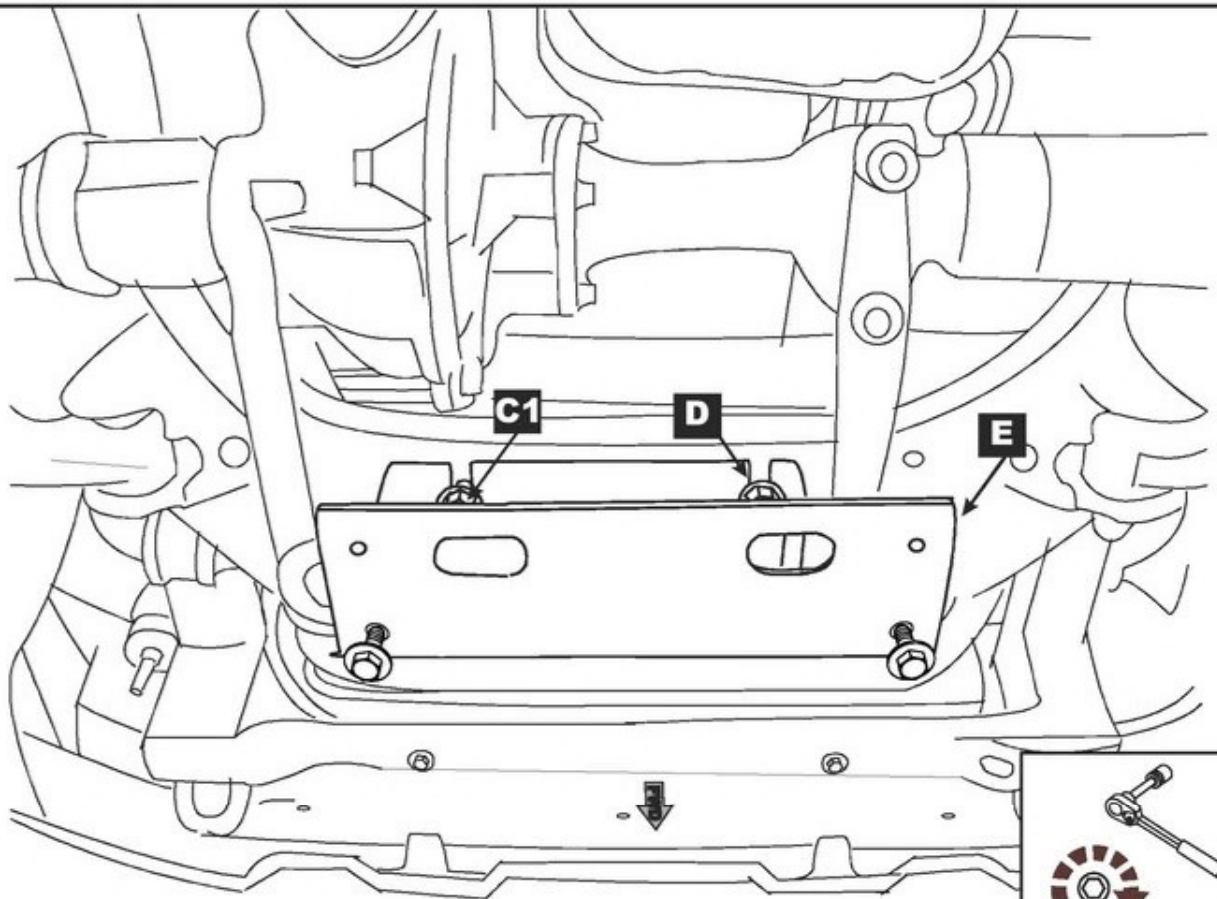
F





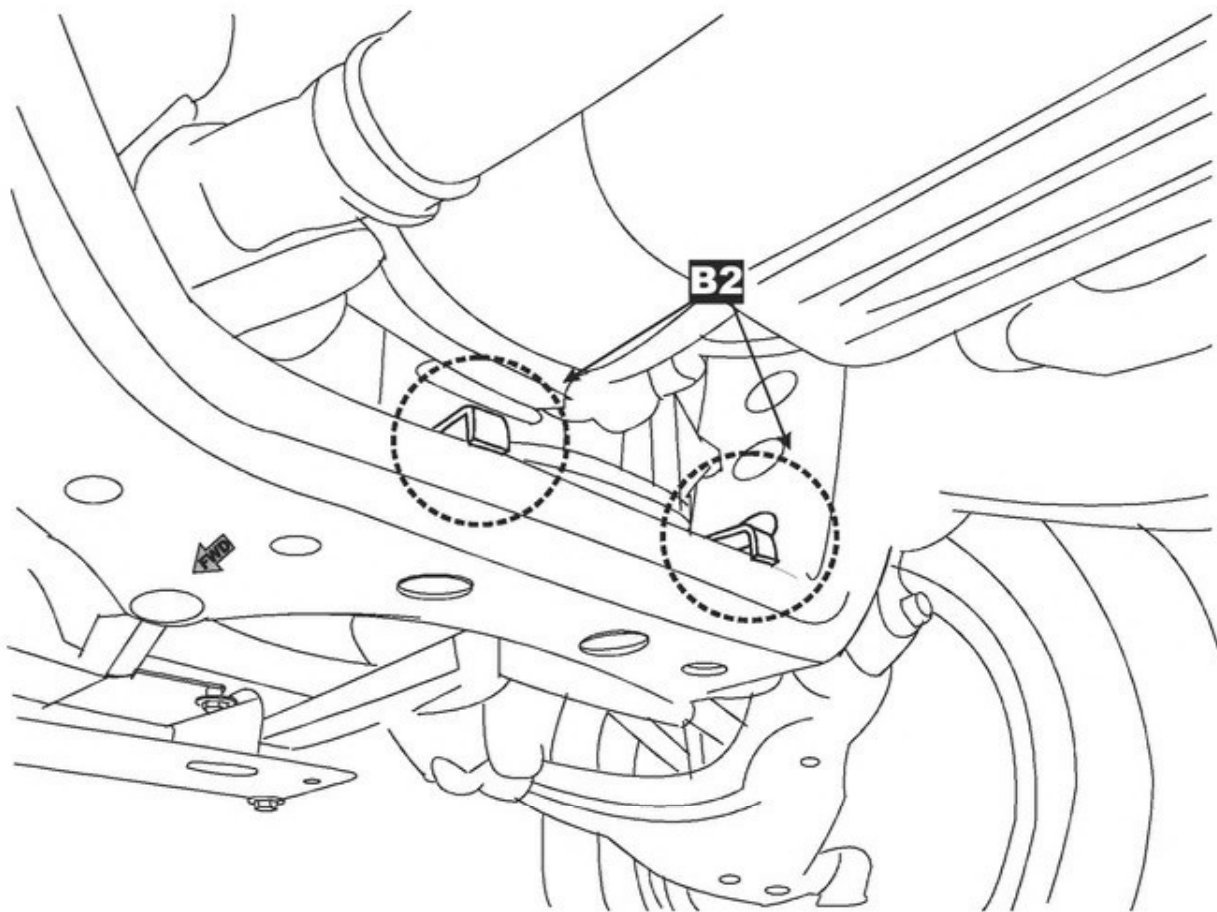


3

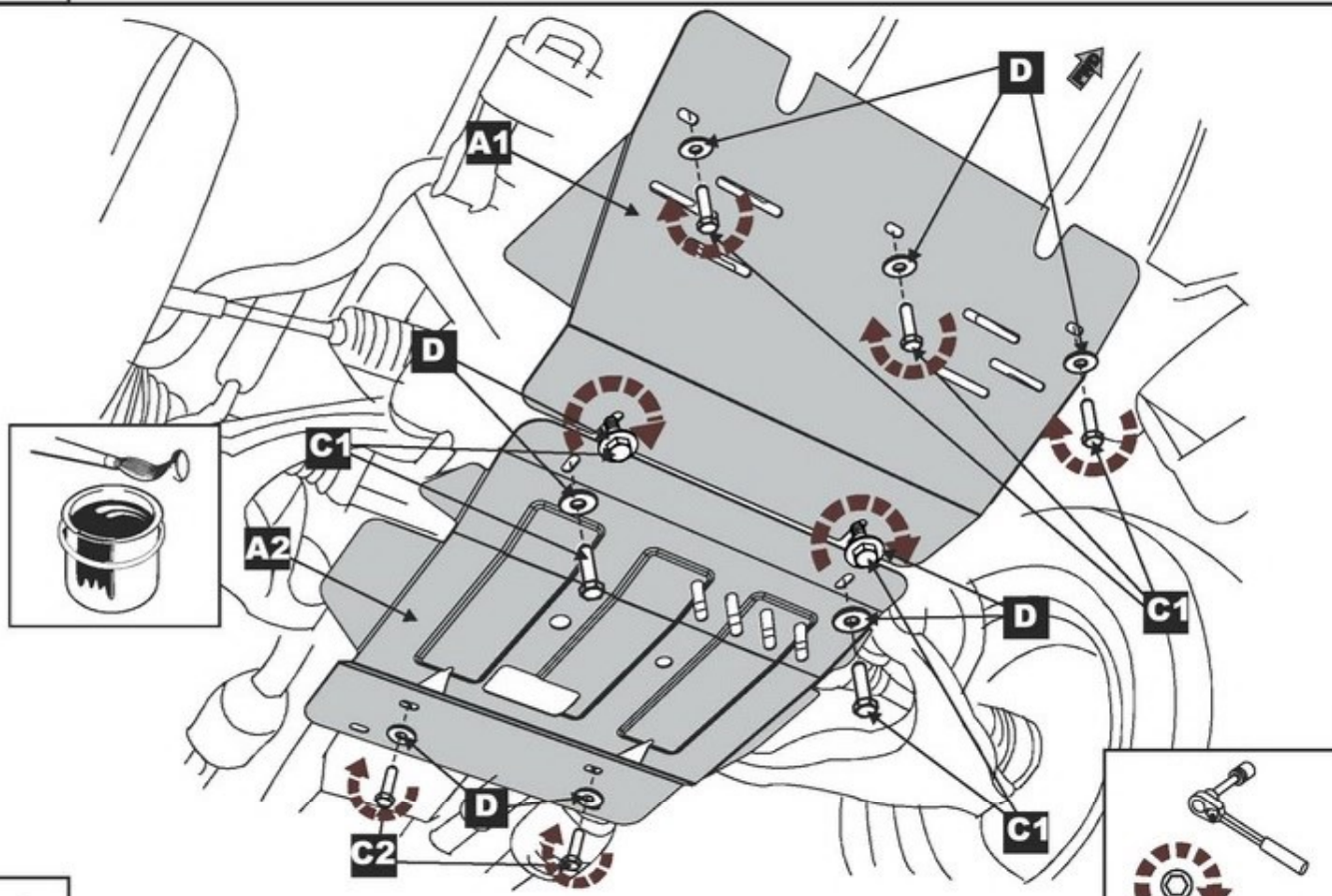


4





5



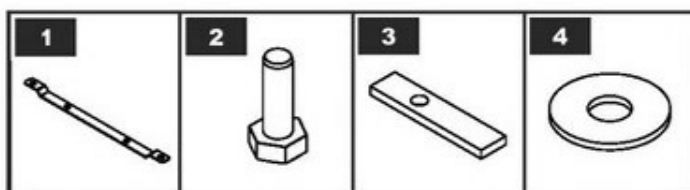
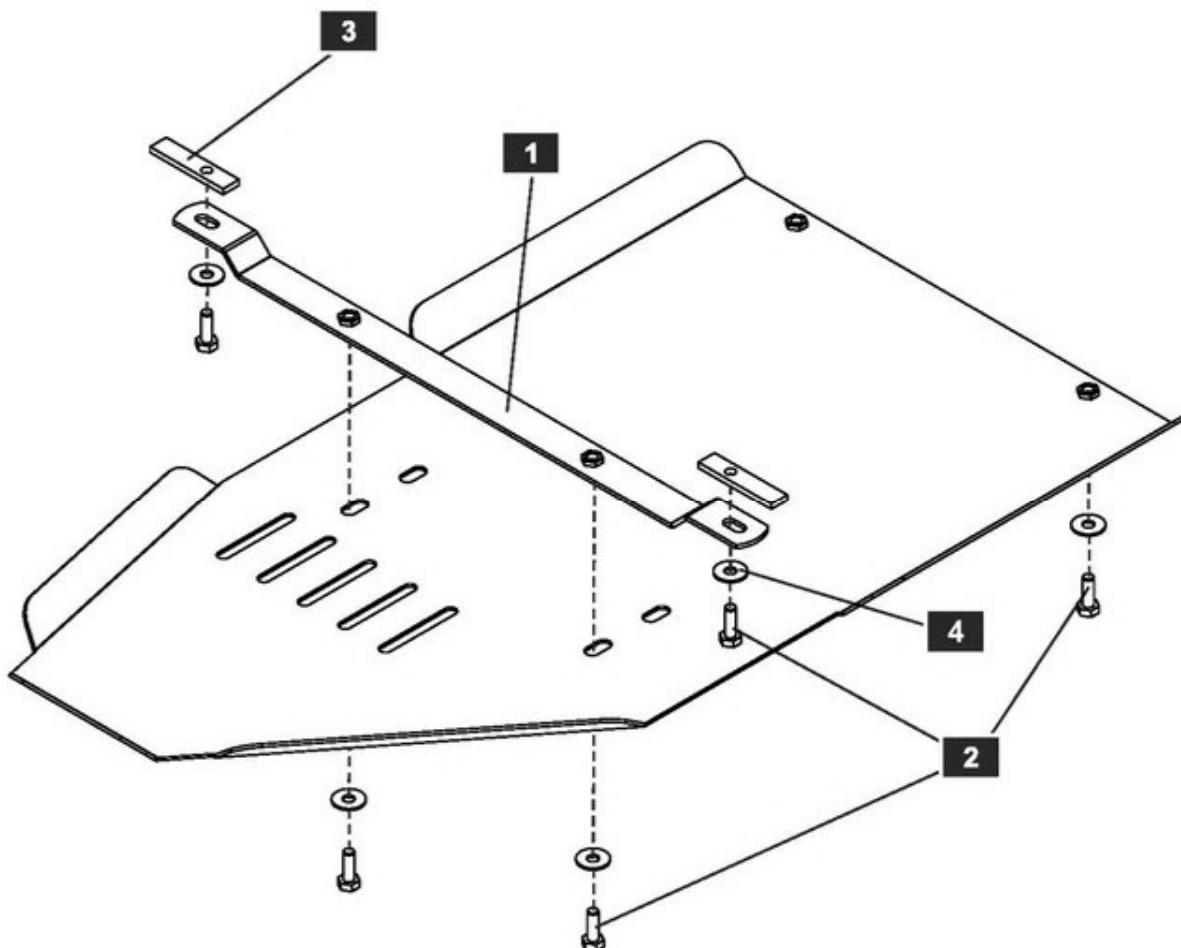
6

M10 = 47 Nm

Bakre del av bunnplate

Monteringsanvisning

1. Sett inn braketter Nr.3 i festebjelken til girkassen i samsvar med hull til brakett Nr.1 og skru fast brakett Nr.1.
2. Skru fast bunnplaten til brakett Nr.1 og bunnplaten under motor med skruer Nr.2 og skiver Nr.4
3. Sjekk over og stram alle skruer.



Innhold:

NO.	NAME	QTY.
1	Brakett	1
2	Skrue M10x30	6
3	Brakett	2
4	Skive	6

Skrue	M6x1.0	M8x1.25	M10x1.5	M12x1.75
Stramme moment	9.8 Nm	24.0 Nm	47.0 Nm	81.0 Nm

INSTALLATION:

Engine bay and transmission elements skid plate has been designed particularly for a certain vehicle. It should be mounted according to the producer's installation instruction by a dedicated dealer or on certified service stations. The skid plate is fixed to regular apertures located on vehicle's body load-bearing elements. In case of correct installation the skid plate should not interfere with any vehicle's units and components.

OPERATING CONDITIONS:

Engine bay and transmission elements skid plate has been designed to operate in conditions specified by vehicle's producer. Cases of crush or driving into obstacles at a speed should be excluded during exploitation. In case of head-on crush it is necessary to assure in absence of damages of vehicle's components and units and availability of roadworthiness on certified service stations.