

# Installation instructions for PZ4AL- 05300- 00

## Under Run Protective Shield engine bay

### LEXUS LX 470



### TOYOTA LAND CRUISER 100



Model Year:

**LX 470 - 2005**

**LC100 - 1998-2006**

Vehicle Code:

UZJxxxL-\*-W

HZJxxxL-\*-W

Part Number:

PZ4AL-05300-00

PZ4AL-05300-00



Weight:

15,4 kg

15,4 kg



InstallationTime:

30 min

30 min

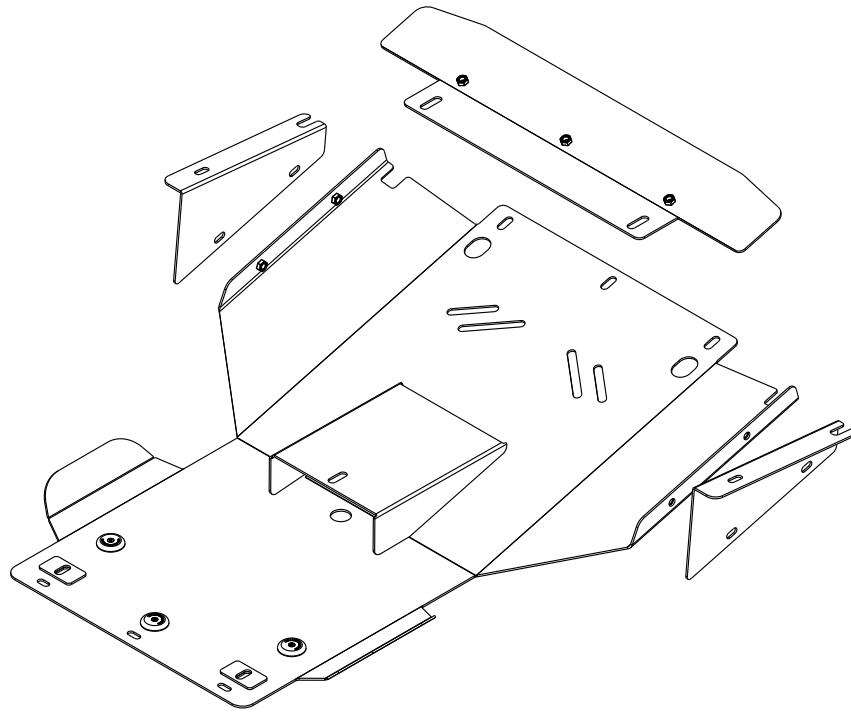
Manual reference number

AIM 000-856-0

AIM 000-856-0

Part number: PZ4AL- 05300- 00

**A**



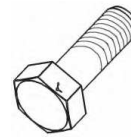
PZ4AL- 05300- 60

**B1**



13 x M 8x20

**B2**

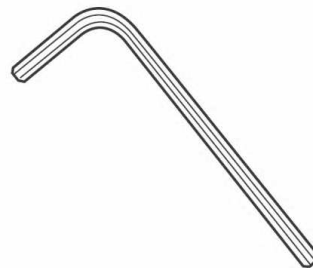
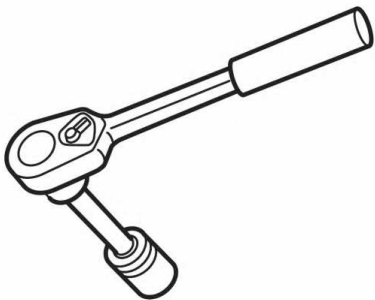


1 x M 8x30

**C**



14 x Ø8



Part number:  
PZ4AL- 05300- 00

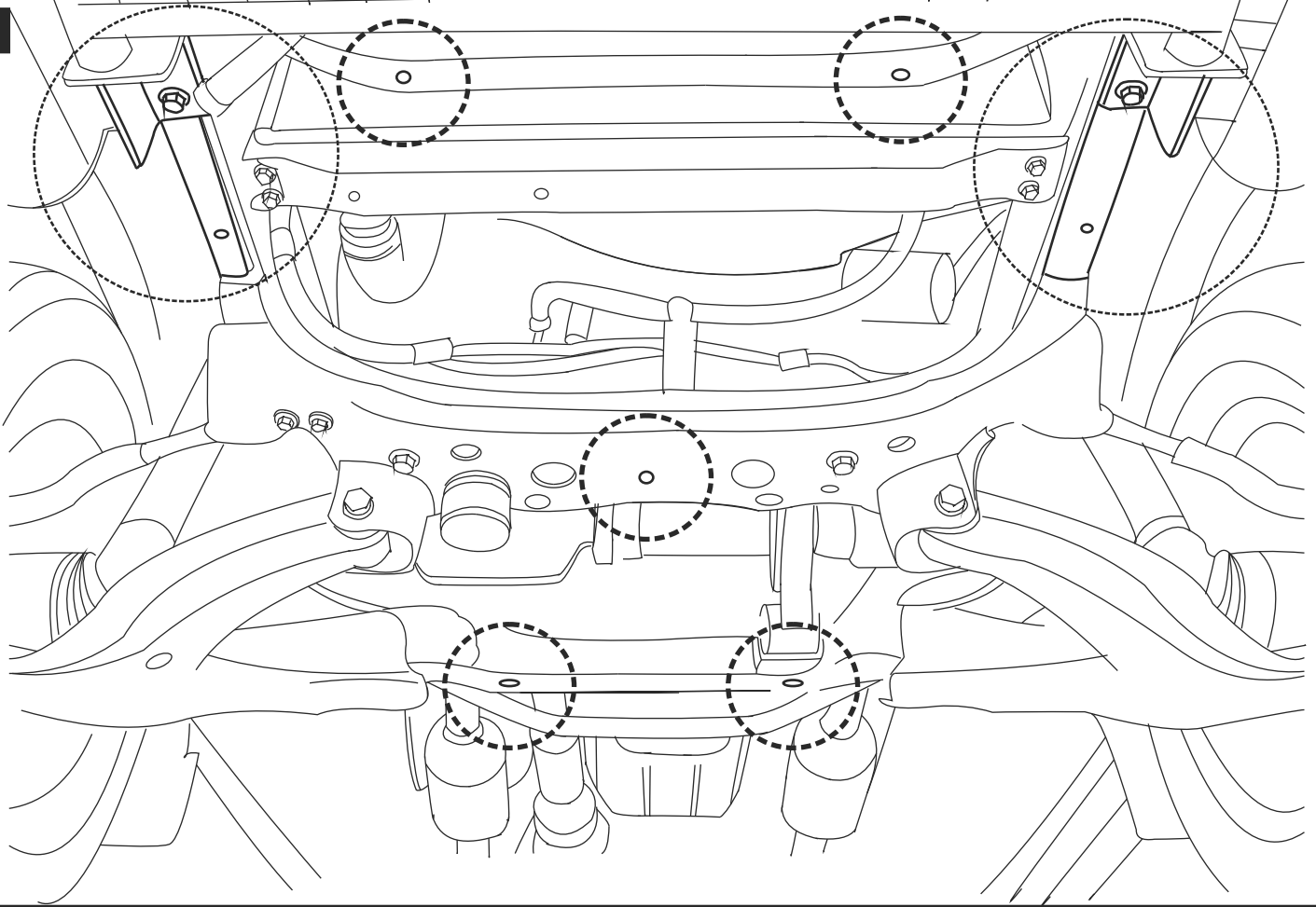
Issue:  
0

Date:  
18/04/16

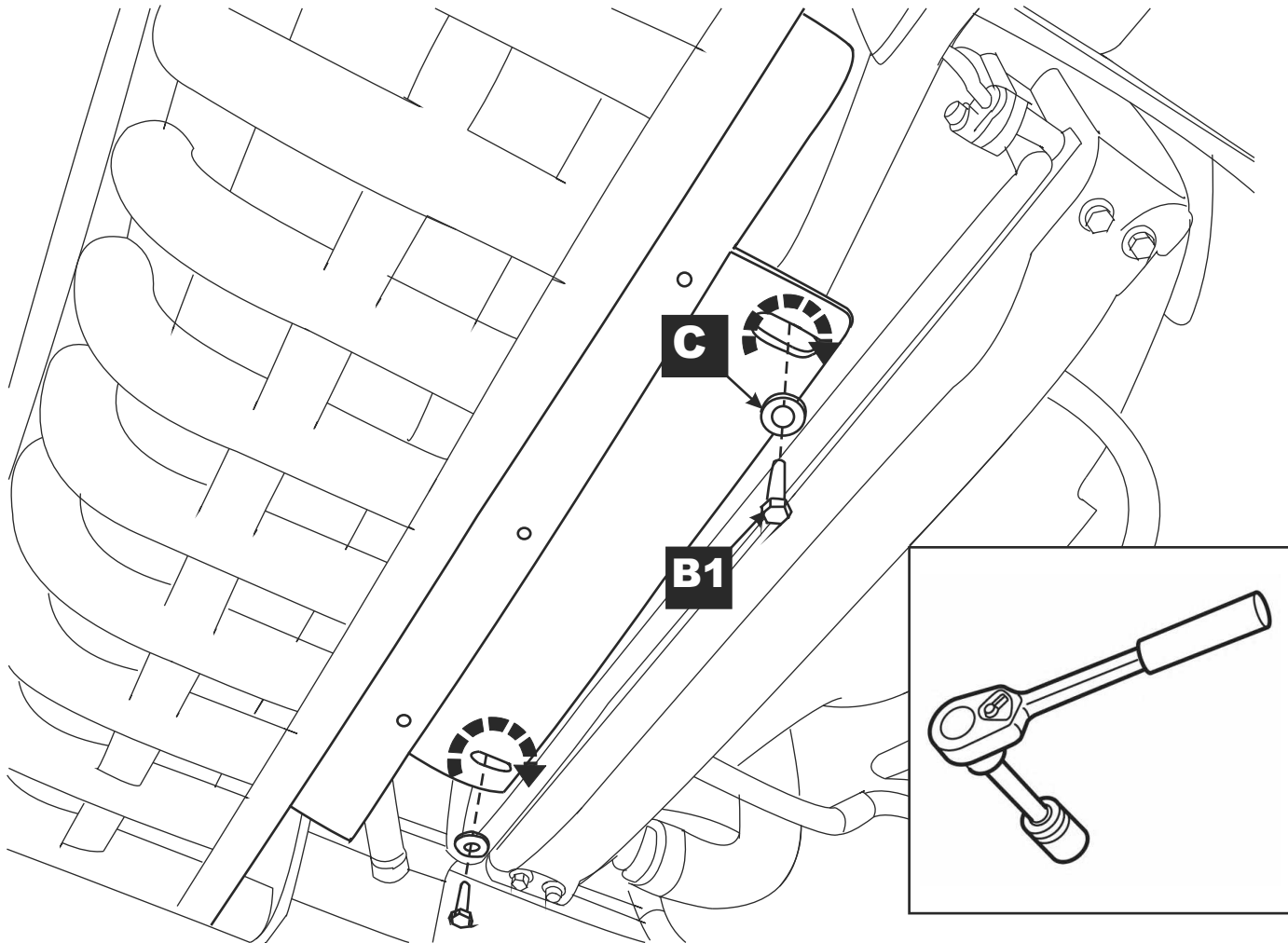
Manual reference number:  
AIM 000-856-0

Page:  
2/4

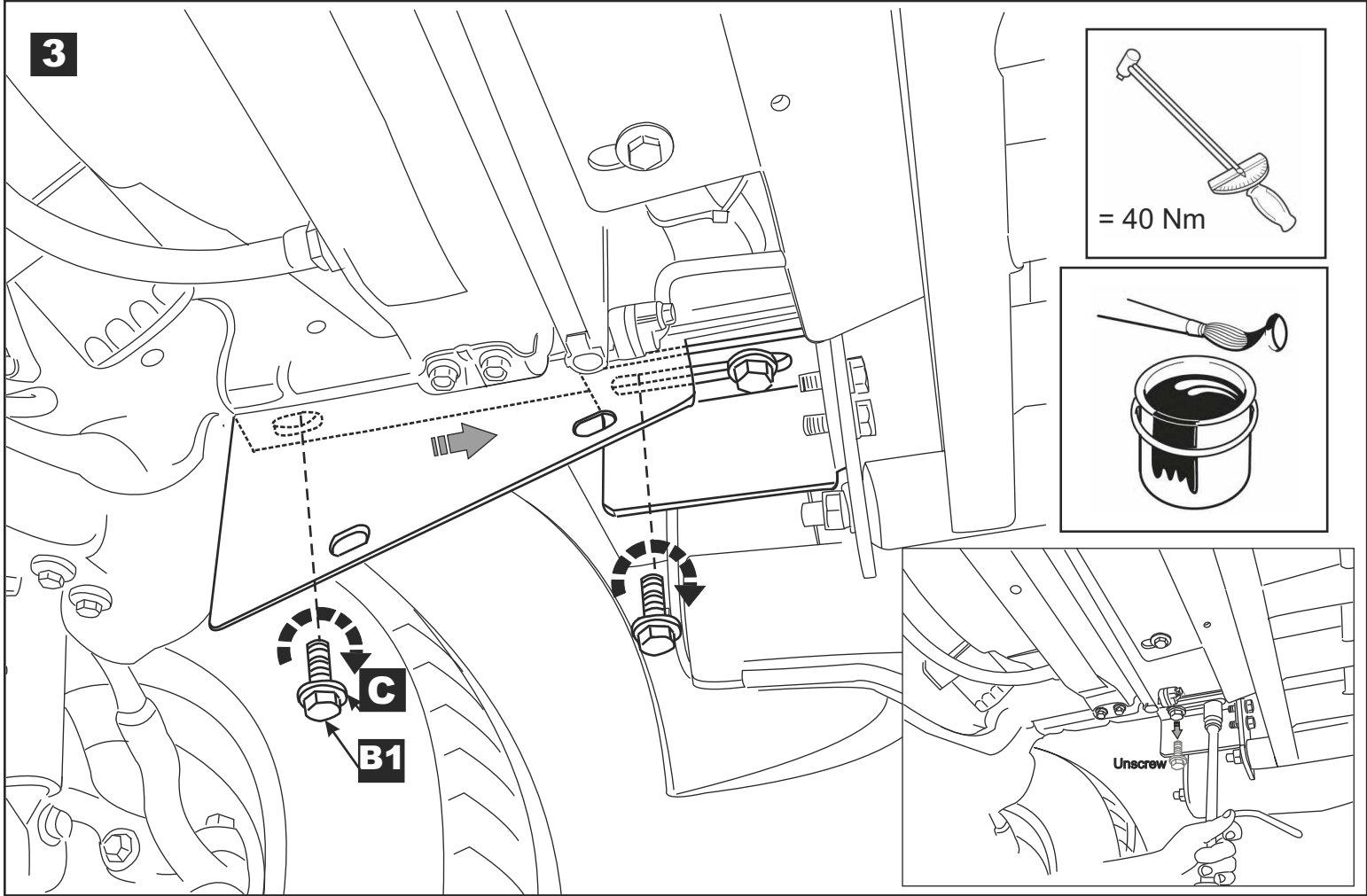
**1**



**2**



**3**



**4**

