

SKI CARRIER

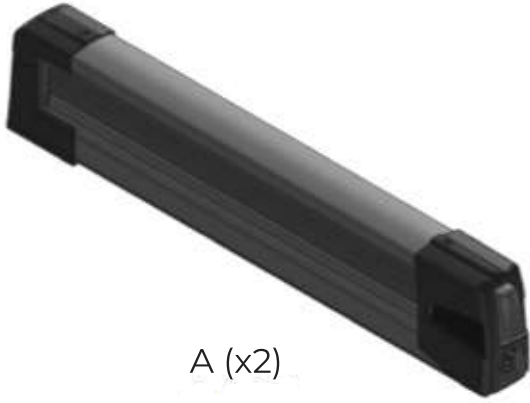
ASSEMBLY

INSTRUCTIONS

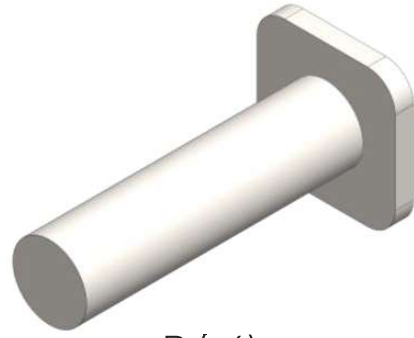


Watch our installation video using the QR code.

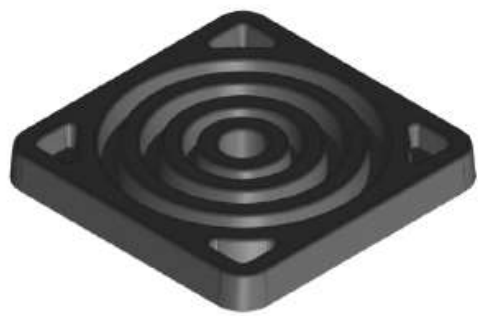
PACKAGE CONTENT



A (x2)



B (x4)



C (x4)



D (x4)



E



F (x1)

ASSEMBLY INSTRUCTIONS

1



Tighten T screws into the canal over (B) crossbar.

2



Install C parts to the t-bolts.

3



Insert the ski carrier into t-screws through the holes in the bottom of (A).

ASSEMBLY INSTRUCTIONS

4



Press the button to open the cover and remove the lock on the slide.

5



Move the slide outwards.

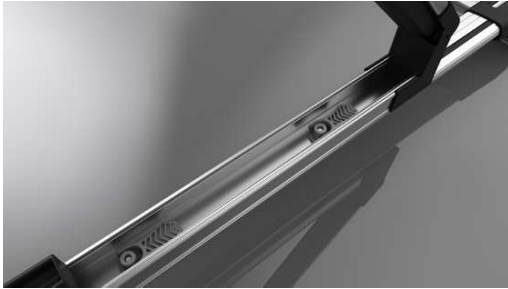
6



Fix D brackets by tightening two screws.

ASSEMBLY INSTRUCTIONS

7



Tighten the both brackets and then lock it by tilting them downwards.

8



Apply the same for the second ski carrier.

9



Load your skis on the slide and push the slide in its place. Be sure that your skies front sides looks at your cars backside.

ASSEMBLY INSTRUCTIONS

10



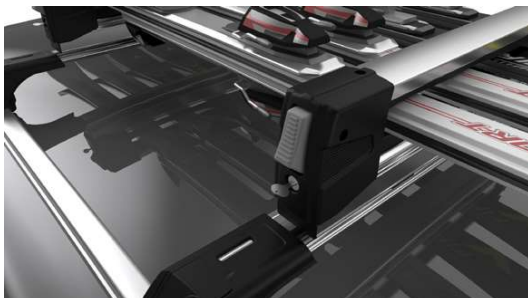
Push the slide all the way through, then push the lock downwards and fix the ski.

11



Close the covers of both carriers.

12



Lock your ski carrier with the key (E).

SKI CARRIER

ASSEMBLY

INSTRUCTIONS



Watch our factory video using the QR code



Deutsche - Español - Français -
Русский - Türkçe - عربي