



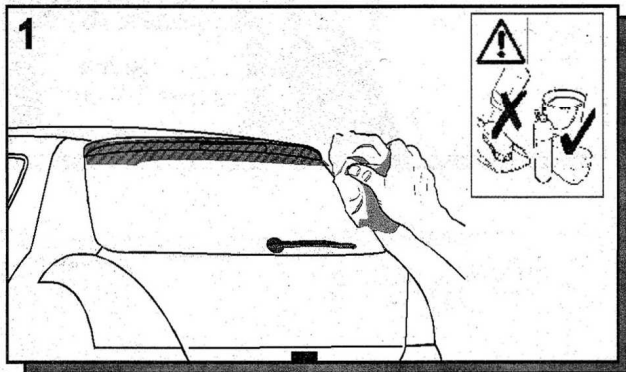
Way of Life!

INSTALLATION INSTRUCTIONS REAR ROOF SPOILER

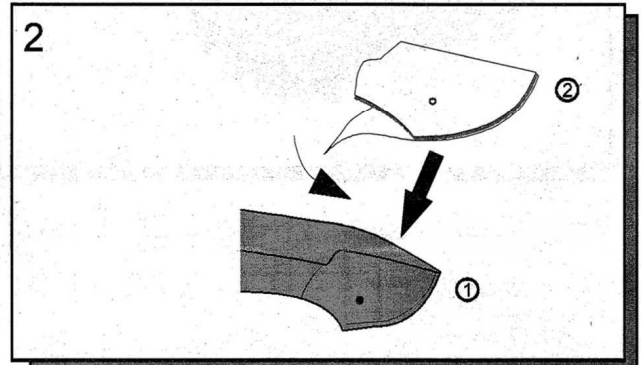
VEHICLE DESCRIPTION: **Suzuki Swift**
PART NUMBER: **9904A-00316**

	Description
	① Spoiler
	② Spoiler Gaskets
	③ Installation Aids
	④ Studs
	⑤ Washers
	⑥ Nuts
	⑦ Rust Inhibitor

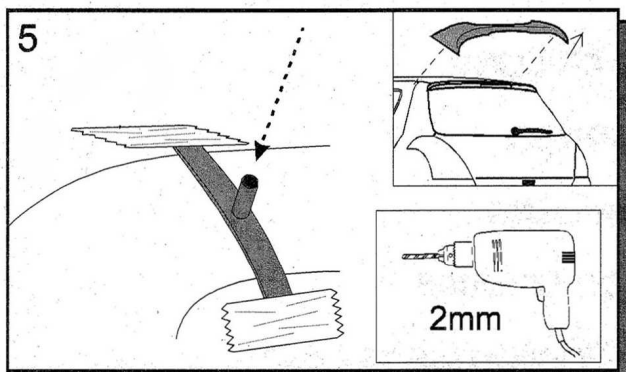
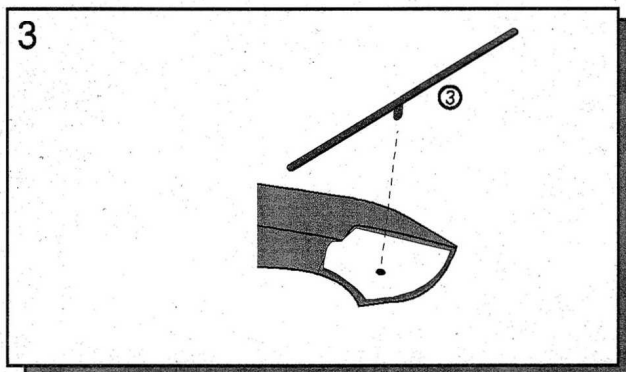
PLACE DUST SHEET TO CATCH DRILL SWARF IN BOOT AREA



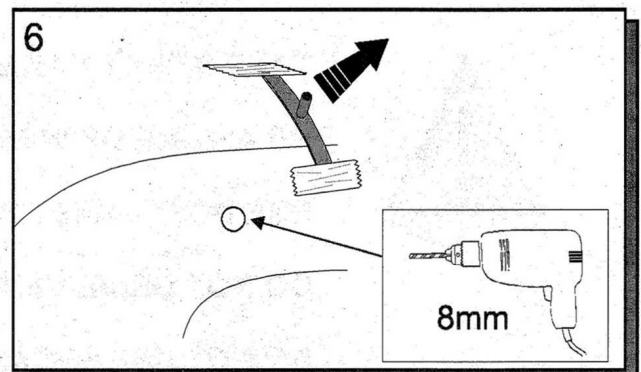
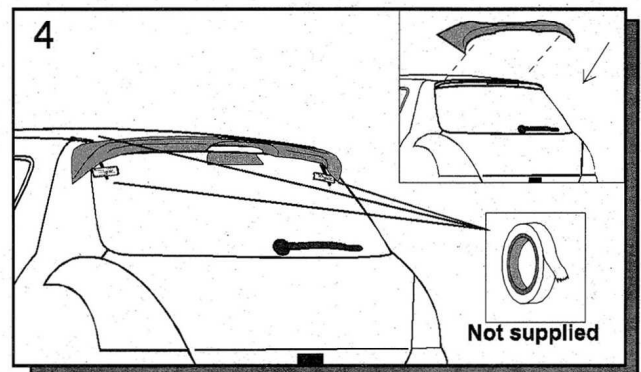
1 Clean vehicle before installation



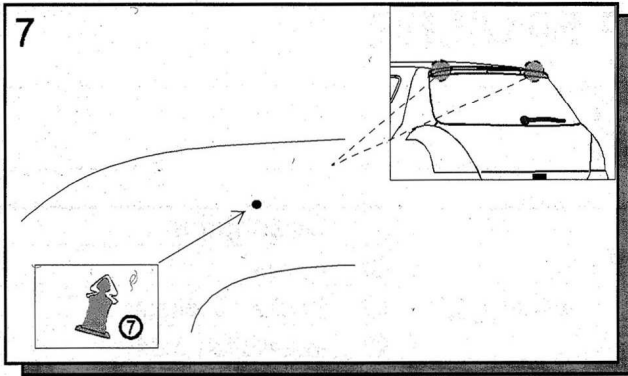
2 Ensure surfaces are clean, no contamination



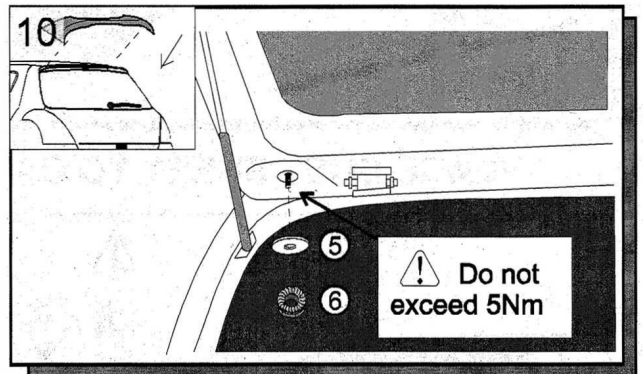
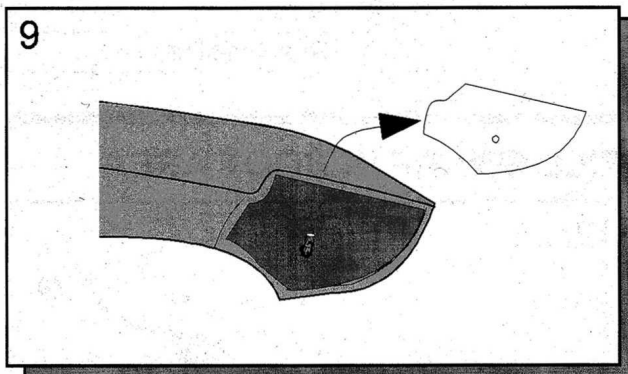
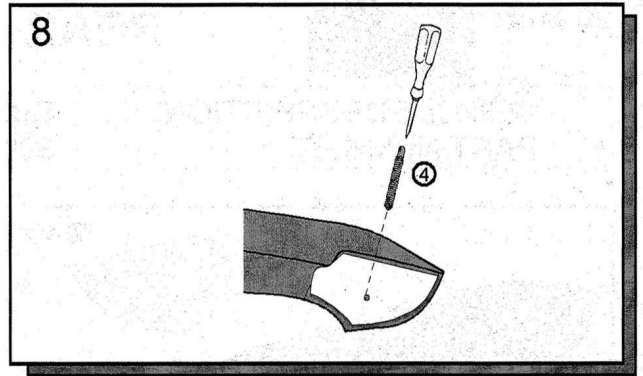
TAKE CARE OF INTERIOR TAILGATE WIRING HARNESS WHEN DRILLING THROUGH METALWORK SKINS.



TAKE CARE OF INTERIOR TAILGATE WIRING HARNESS WHEN DRILLING THROUGH METALWORK SKINS.



Apply rust inhibitor



TAKE GREAT CARE WHILE DRILLING

BE AWARE OF WIRING HARNESS

USE DUST SHEET WHEN DRILLING

DO NOT DRIVE VEHICLE FOR 12HOURS

DO NOT USE SPOILER TO OPEN/CLOSE TAILGATE